

Eco system

Eco system



Eco system



Eco system (fenêtres)

- 1 Eléments fixes
- 2 Eléments ouvrants
- 3 Eléments composés
- 4 Combinaisons dans le système

Eco system (portes)

- 5 Ouvrant vers l'intérieur
- 6 Ouvrant vers l'extérieur

Eco system Automatic Sliding Door

Eco system Swing Door

Eco system Anti-burglary Proof (Eco system-AP)

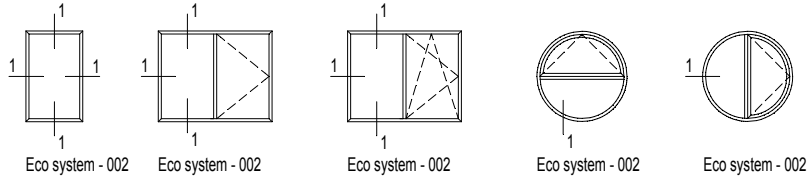
Combinaisons avec d'autres systèmes

Eco system (Fenêtres)

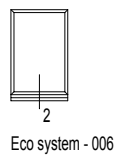


1 Eléments fixes

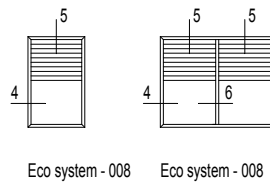
Dormants



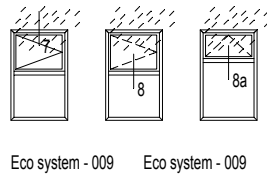
Bavettes



Guide à volet



Rejet d'eau

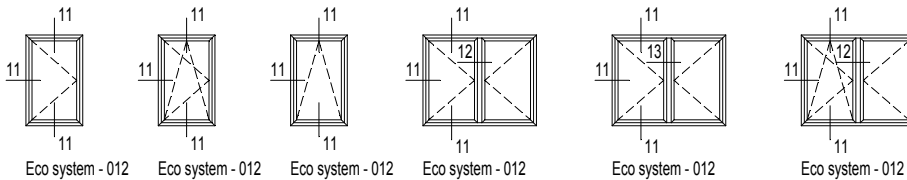


Division dans fenêtre fixe

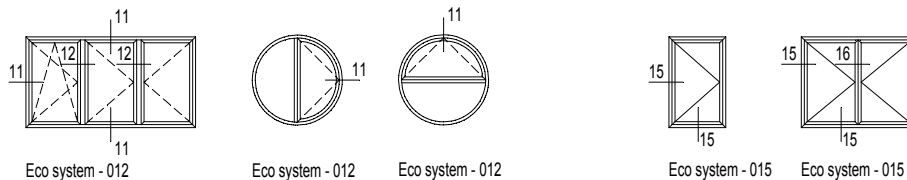


2 Eléments ouvrants

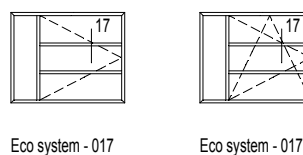
Fenêtres ouvrant vers l'intérieur



Fenêtre ouvrant vers l'extérieur



Division dans l'ouvrant

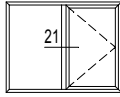


Eco system

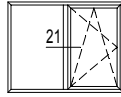


3 Eléments composés

Traverse

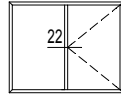


Eco system - 018

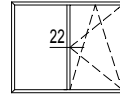


Eco system - 018

Traverse renforcé

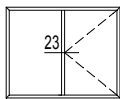


Eco system - 020

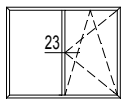


Eco system - 020

Profilé de renforcement

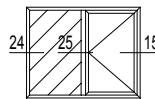


Eco system - 022



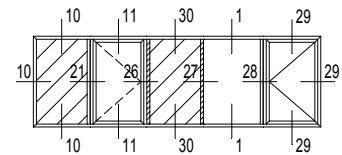
Eco system - 022

Dormants / Traverse



Eco system - 026

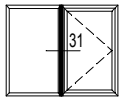
Profilé inversion parclose



Eco system - 028

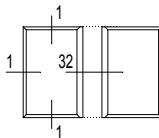
4 Combinaisons dans le système

Dans un même plan

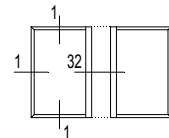


Eco system - 030

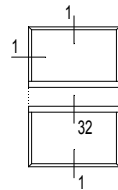
Dilatation



Eco system - 031

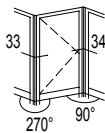


Eco system - 031

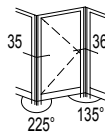


Eco system - 031

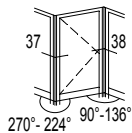
Profilés d'angle



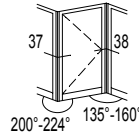
Eco system - 032



Eco system - 034

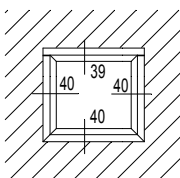


Eco system - 035

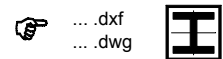
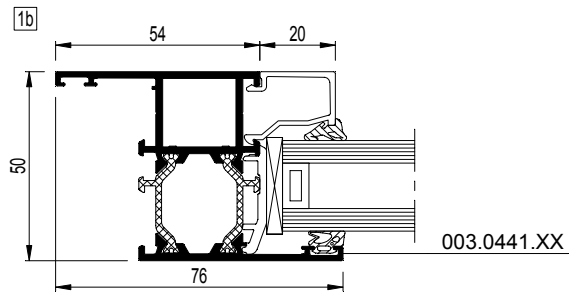
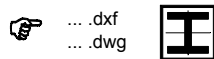
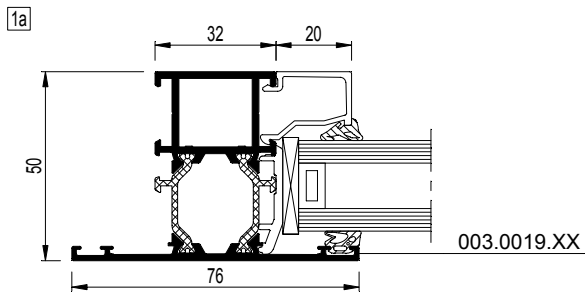
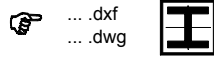
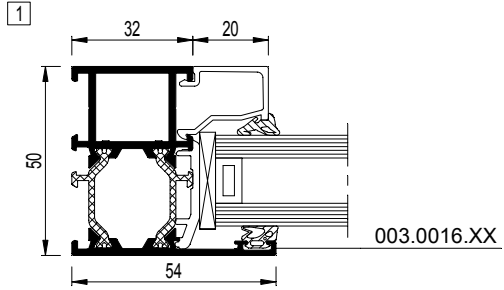
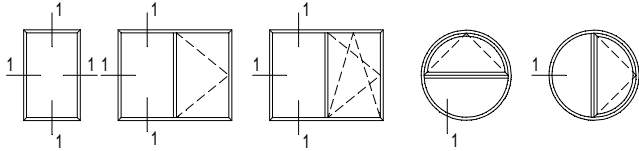


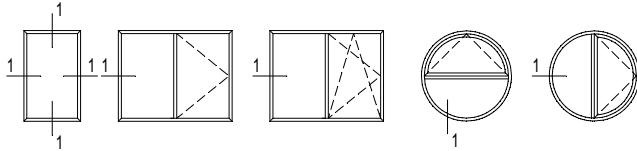
Eco system - 036

Profilés d'angle

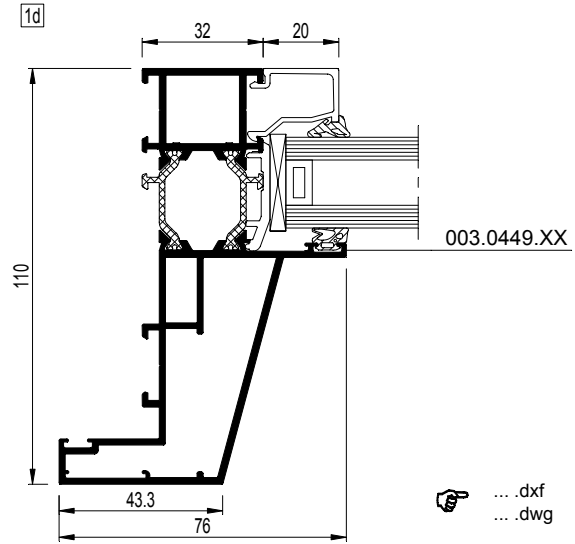
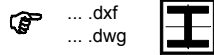
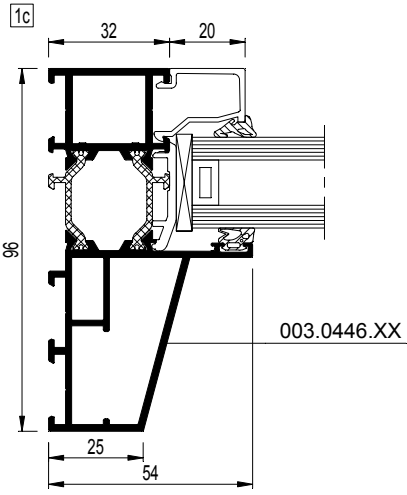
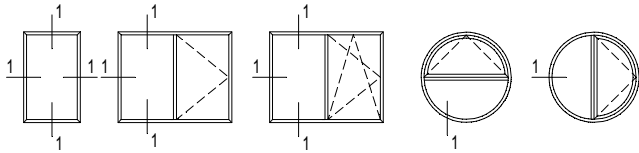


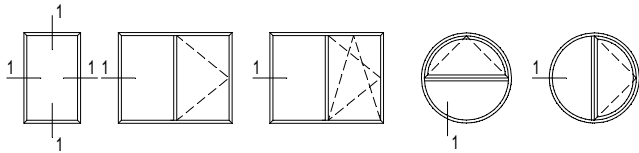
Eco system - 037





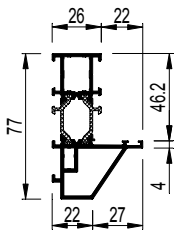
<p>003.0036.XX</p> <p>$I_x = 8.241 \text{ cm}^4$</p> <p>1 Eco system-001001.dxf Eco system-001001.dwg</p>	<p>003.0016.XX</p> <p>$I_x = 9.413 \text{ cm}^4$</p> <p>1 Eco system-001002.dxf Eco system-001002.dwg</p>	<p>003.0025.XX</p> <p>$I_x = 12.815 \text{ cm}^4$</p> <p>1 Eco system-001003.dxf Eco system-001003.dwg</p>
<p>003.0013.XX</p> <p>$I_x = 9.546 \text{ cm}^4$</p> <p>1a Eco system-001004.dxf Eco system-001004.dwg</p>	<p>003.0019.XX</p> <p>$I_x = 10.819 \text{ cm}^4$</p> <p>1a Eco system-001005.dxf Eco system-001005.dwg</p>	<p>003.0014.XX</p> <p>$I_x = 14.300 \text{ cm}^4$</p> <p>1a Eco system-001006.dxf Eco system-001006.dwg</p>
<p>003.0442.XX</p> <p>$I_x = 9.997 \text{ cm}^4$</p> <p>1b Eco system-001007.dxf Eco system-001007.dwg</p>	<p>003.0441.XX</p> <p>$I_x = 11.100 \text{ cm}^4$</p> <p>1b Eco system-001008.dxf Eco system-001008.dwg</p>	<p>003.0451.XX</p> <p>$I_x = 14.497 \text{ cm}^4$</p> <p>1b Eco system-001009.dxf Eco system-001009.dwg</p>





103.0804.XX

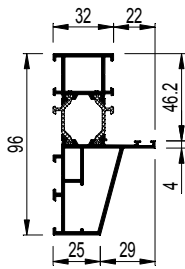
$I_x = 20.242 \text{ cm}^4$



1c Eco system-001013.dxf
 Eco system-001013.dwg

003.0446.XX

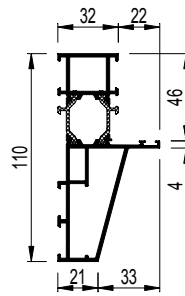
$I_x = 40.534 \text{ cm}^4$



1c Eco system-001010.dxf
 Eco system-001010.dwg

003.0447.XX

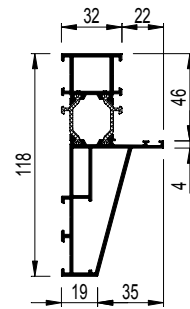
$I_x = 55.243 \text{ cm}^4$



1c Eco system-001011.dxf
 Eco system-001011.dwg

003.0448.XX

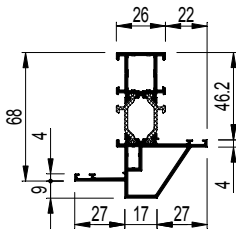
$I_x = 65.586 \text{ cm}^4$



1c Eco system-001012.dxf
 Eco system-001012.dwg

103.0805.XX

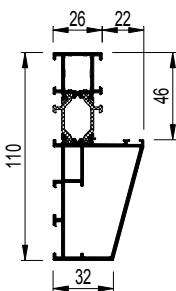
$I_x = 22.316 \text{ cm}^4$



1c Eco system-001014.dxf
 Eco system-001014.dwg

103.0448.XX

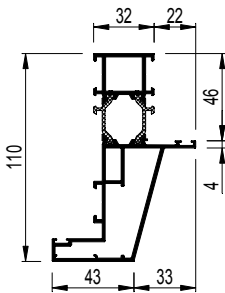
$I_x = 55.340 \text{ cm}^4$



1c Eco system-001016.dxf
 Eco system-001016.dwg

003.0449.XX

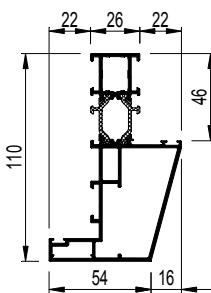
$I_x = 69.731 \text{ cm}^4$



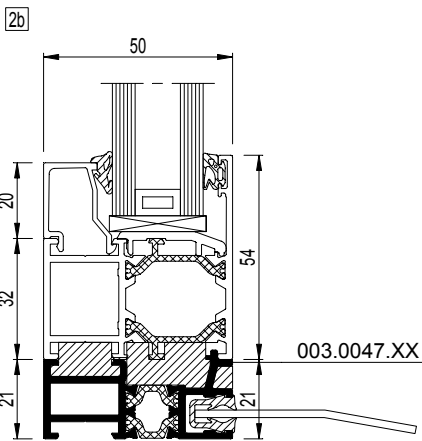
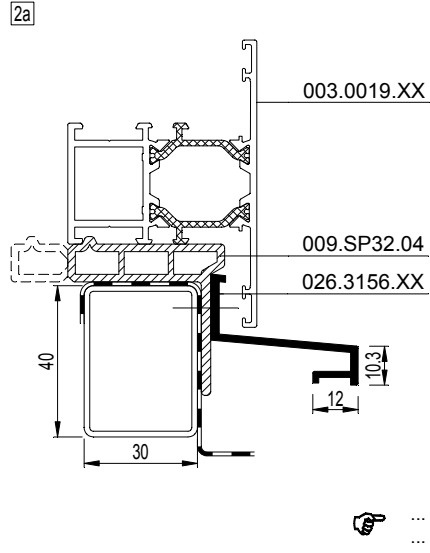
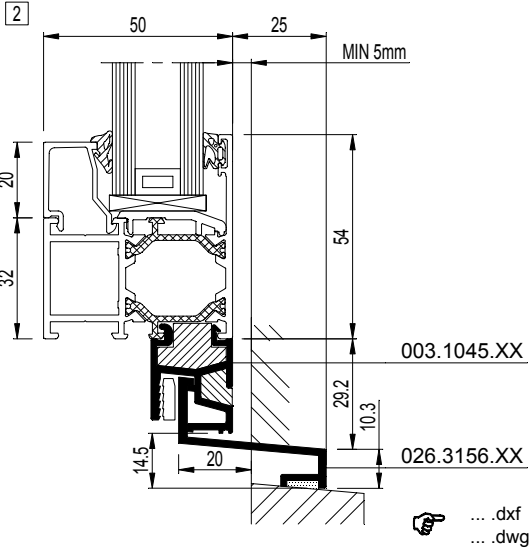
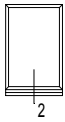
1d Eco system-001015.dxf
 Eco system-001015.dwg

103.0449.XX

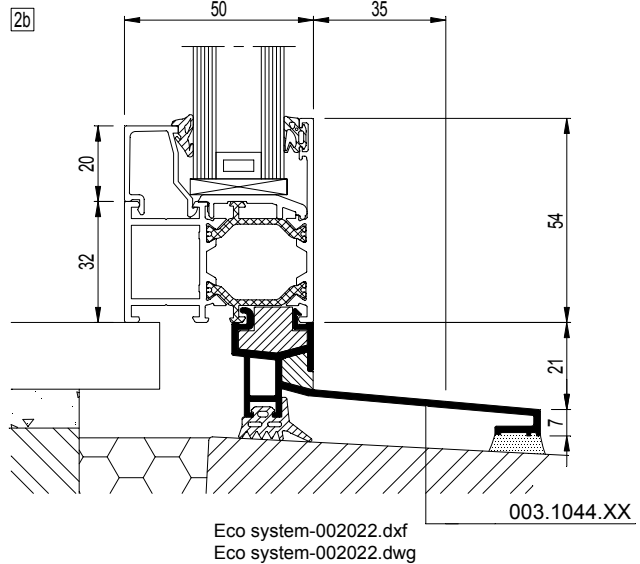
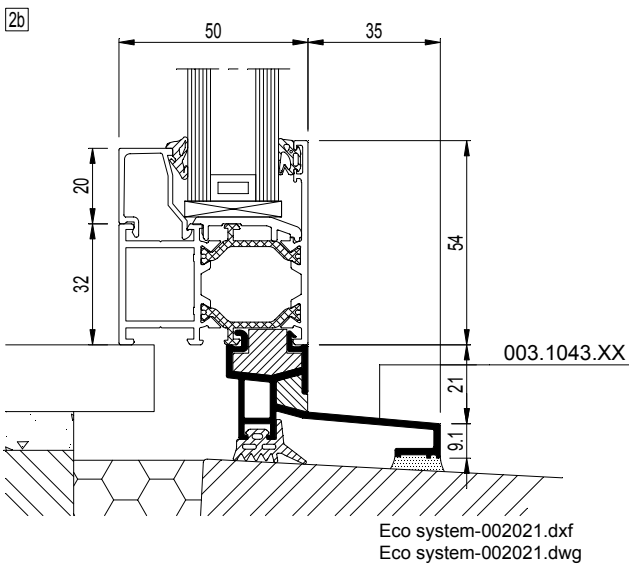
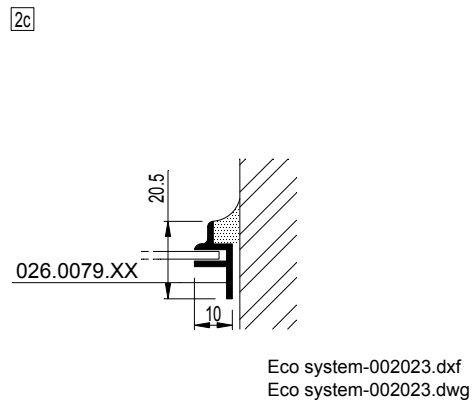
$I_x = 69.356 \text{ cm}^4$

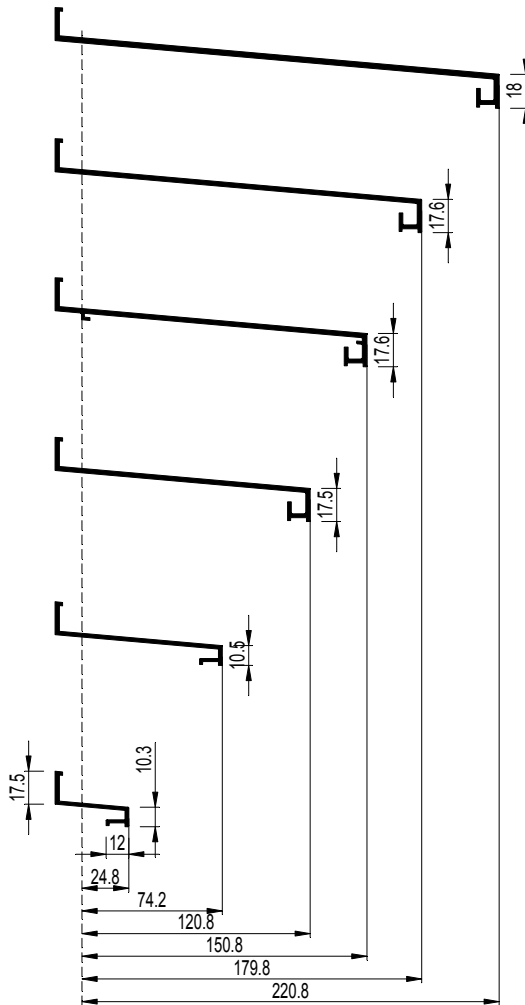
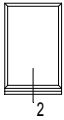


1d Eco system-001017.dxf
 Eco system-001017.dwg



Eco system-002020.dxf
 Eco system-002020.dwg





2 Eco system-002006.dxf Eco system-002006.dwg 2a Eco system-002015.dxf Eco system-002015.dwg
026.3159.XX

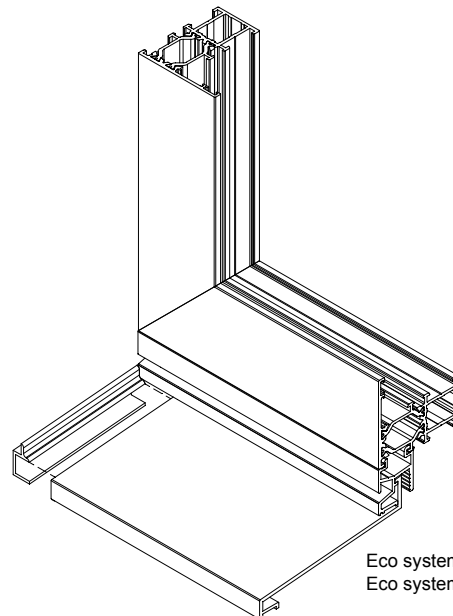
2 Eco system-002005.dxf Eco system-002005.dwg 2a Eco system-002014.dxf Eco system-002014.dwg
026.3158.XX

2 Eco system-002004.dxf Eco system-002004.dwg 2a Eco system-002013.dxf Eco system-002013.dwg
026.3166.XX

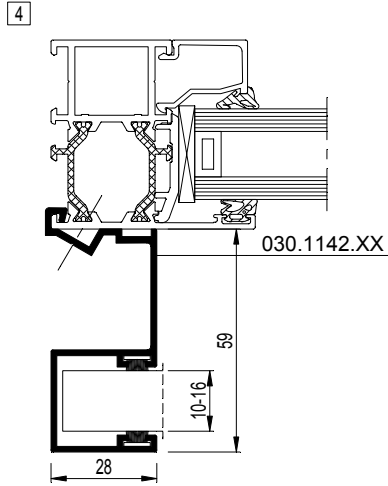
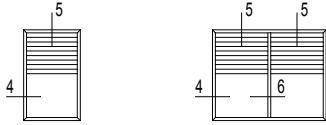
2 Eco system-002003.dxf Eco system-002003.dwg 2a Eco system-002012.dxf Eco system-002012.dwg
026.3157.XX

2 Eco system-002002.dxf Eco system-002002.dwg 2a Eco system-002011.dxf Eco system-002011.dwg
026.3144.XX

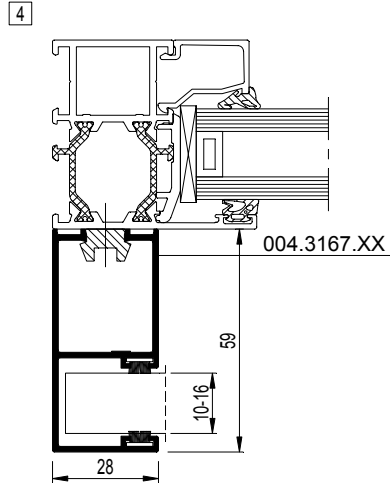
2 Eco system-002001.dxf Eco system-002001.dwg 2a Eco system-002010.dxf Eco system-002010.dwg
026.3156.XX



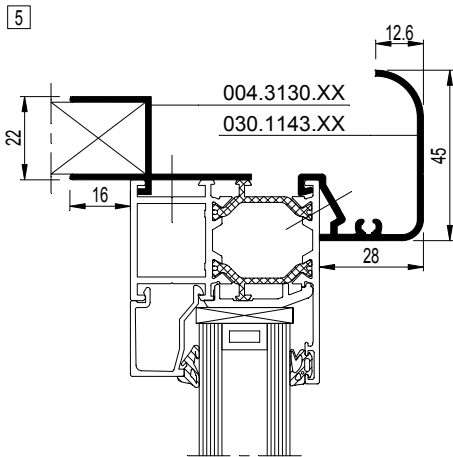
Eco system-3d0001.dxf
 Eco system-3d0001.dwg



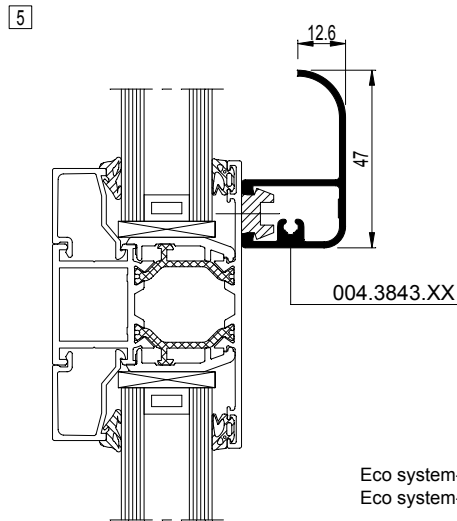
Eco system-004001.dxf
 Eco system-004001.dwg



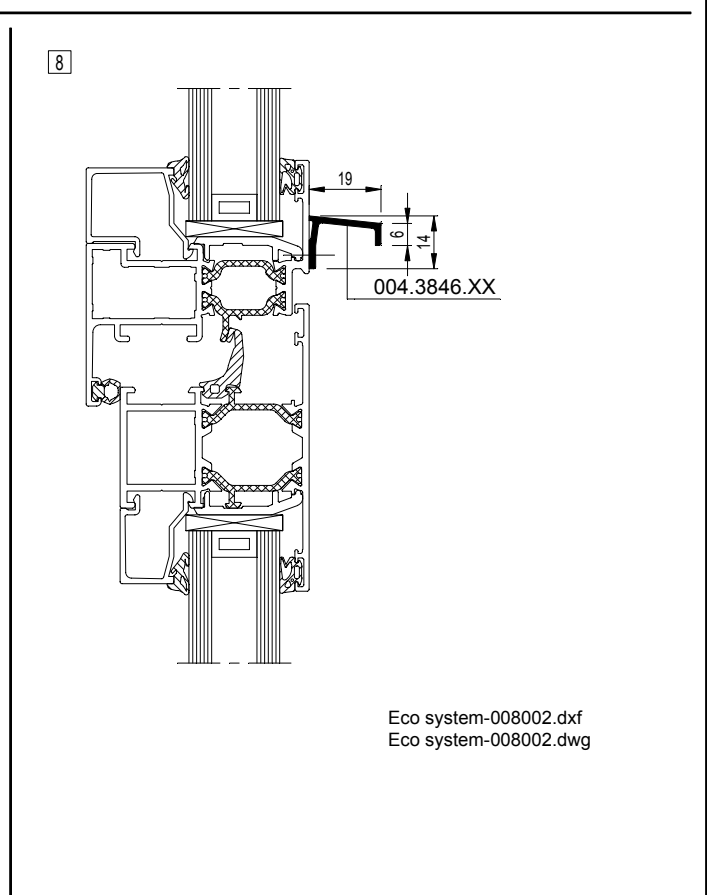
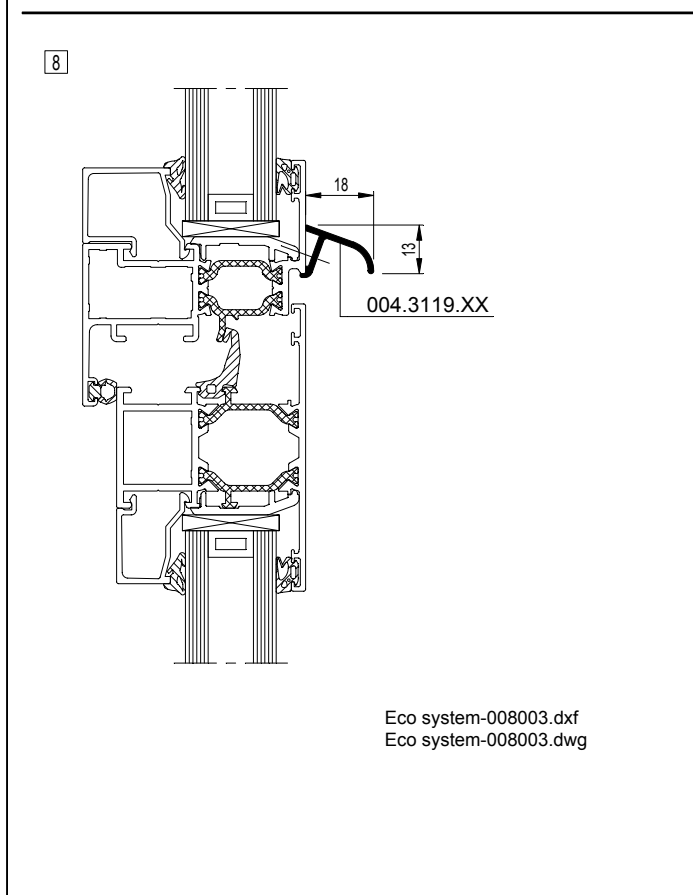
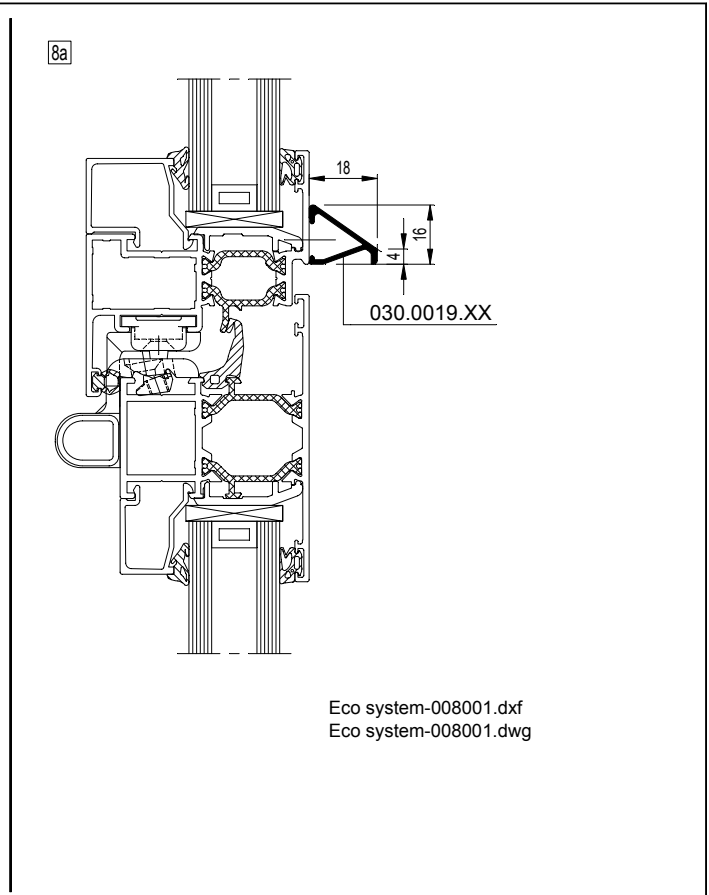
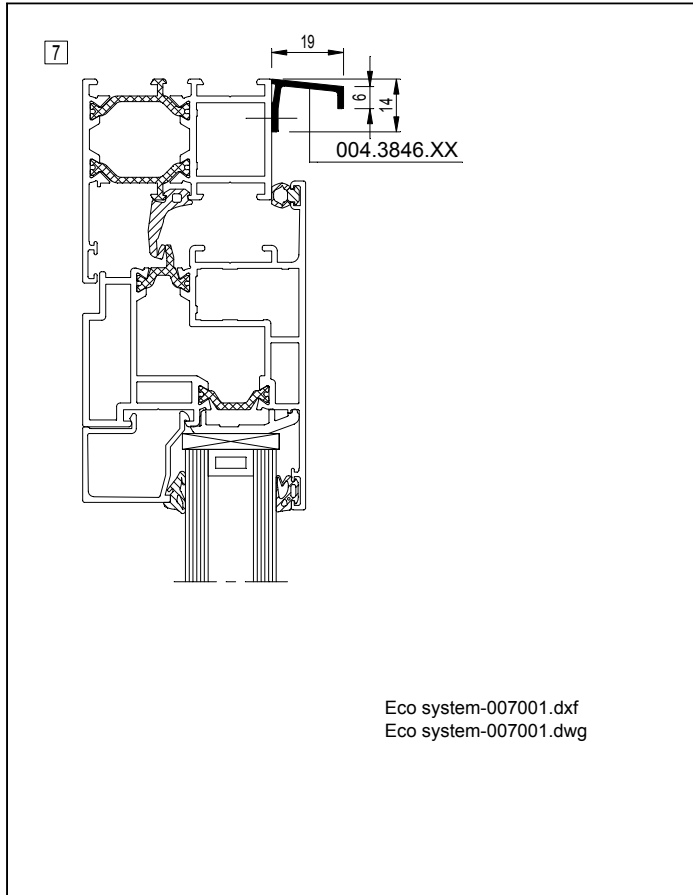
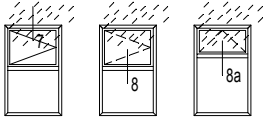
Eco system-004002.dxf
 Eco system-004002.dwg

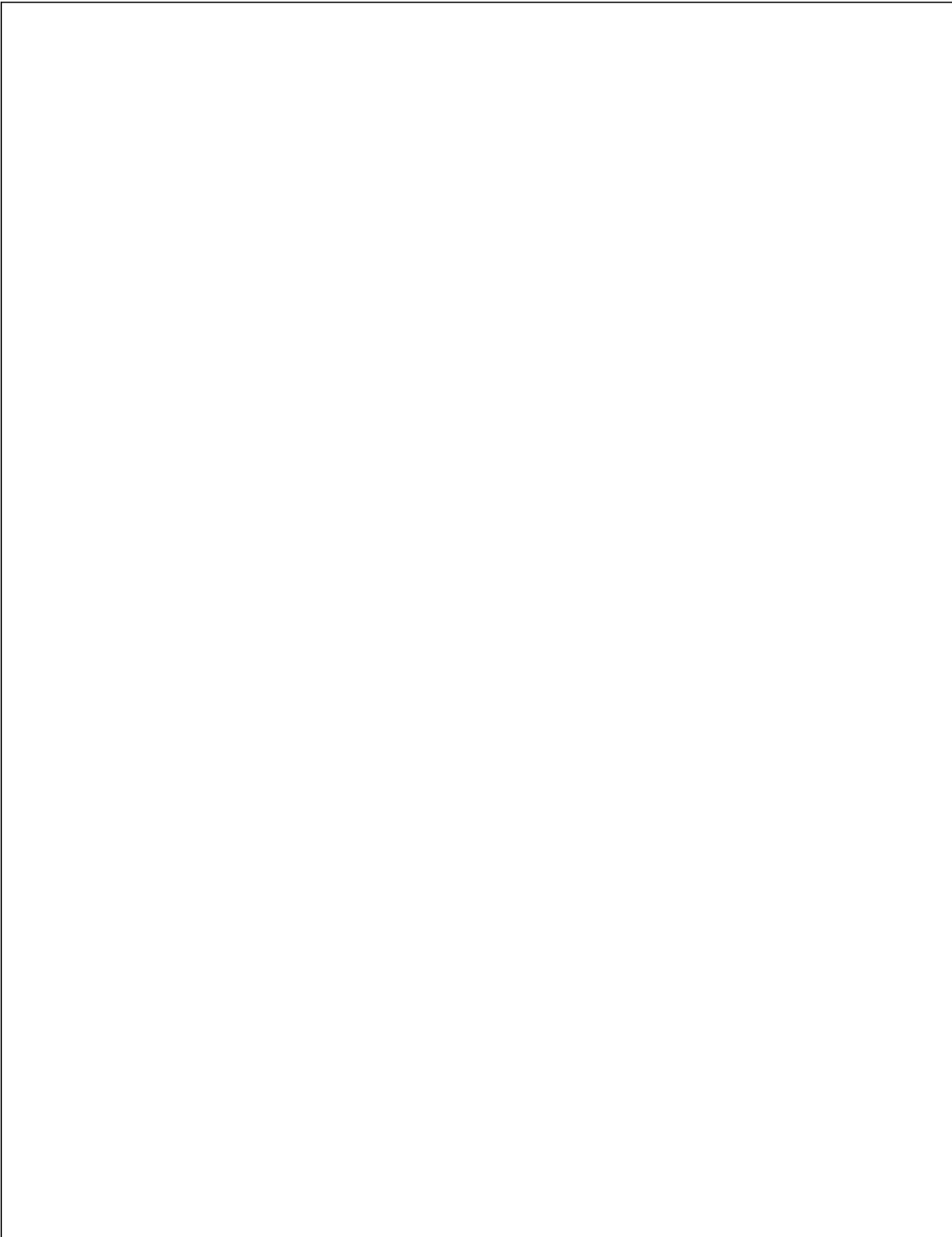


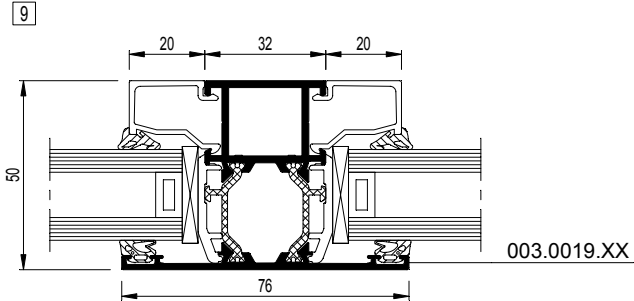
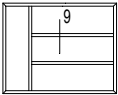
Eco system-005001.dxf
 Eco system-005001.dwg



Eco system-005002.dxf
 Eco system-005002.dwg



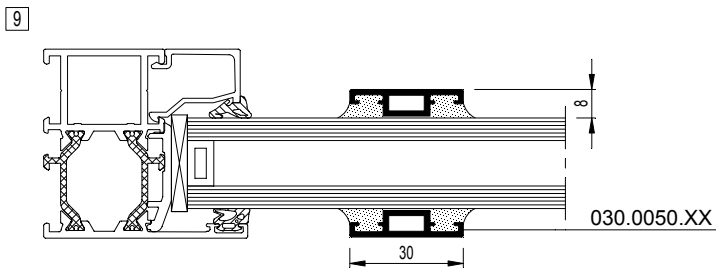




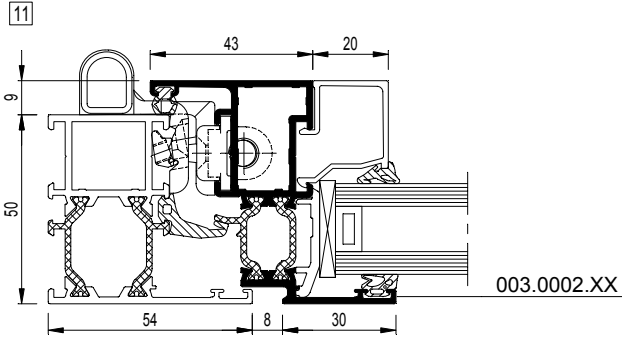
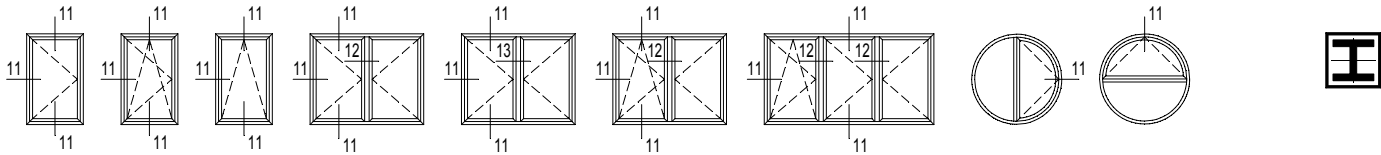
Eco system-009001.dxf
Eco system-009001.dwg



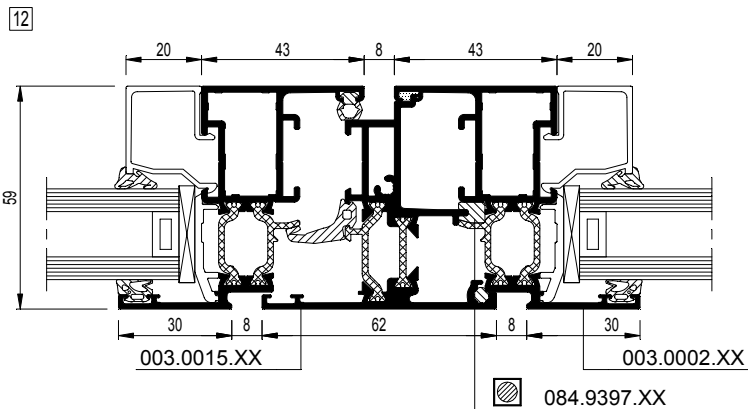
Zie ook T-profielen blz. 18-19
Voire aussi traverse pag. 18-19
Look also transom pag. 18-19
Siehe auch Sprosse pag. 18-19



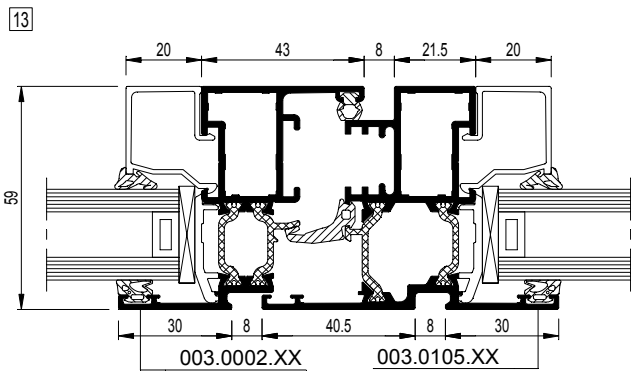
Eco system-009002.dxf
Eco system-009002.dwg



... .dxf
dwg

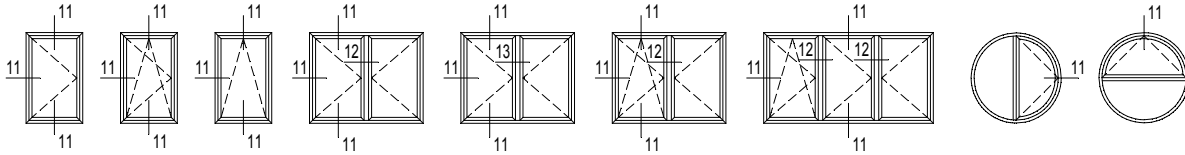


... .dxf
dwg



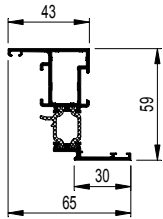
... .dxf
dwg





003.0002.XX

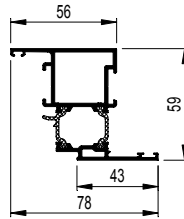
$I_x = 12.388 \text{ cm}^4$



- 11 Eco system-011001.dxf
Eco system-011001.dwg
- 12 Eco system-012001.dxf
Eco system-012001.dwg
- 13 Eco system-013001.dxf
Eco system-013001.dwg

003.0092.XX

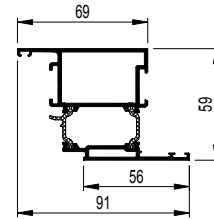
$I_x = 16.850 \text{ cm}^4$



- 11 Eco system-011002.dxf
Eco system-011002.dwg
- 12 Eco system-012002.dxf
Eco system-012002.dwg

003.0012.XX

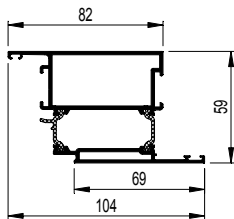
$I_x = 20.481 \text{ cm}^4$



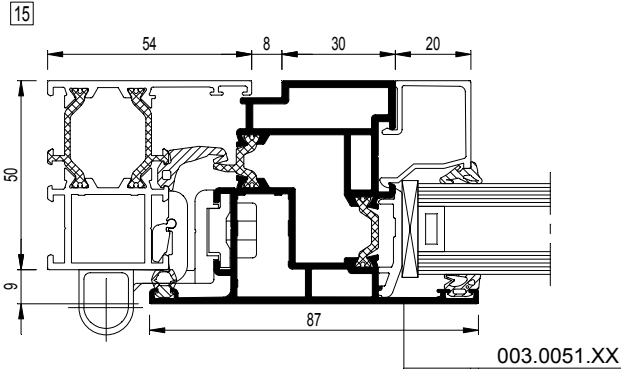
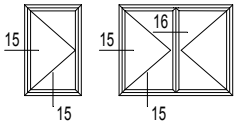
- 11 Eco system-011003.dxf
Eco system-011003.dwg
- 12 Eco system-012003.dxf
Eco system-012003.dwg

003.0021.XX

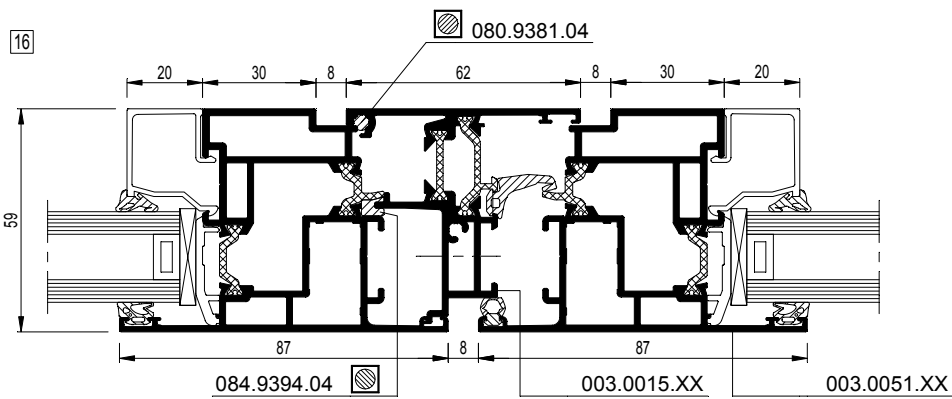
$I_x = 24.054 \text{ cm}^4$



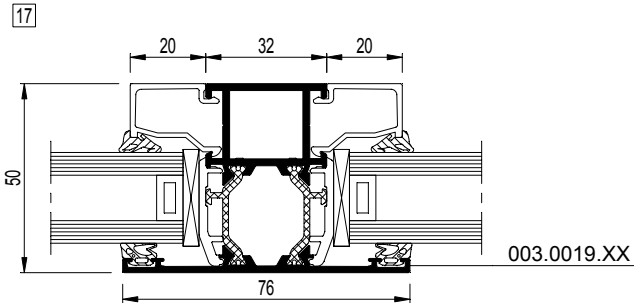
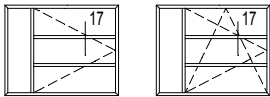
- 11 Eco system-011004.dxf
Eco system-011004.dwg
- 12 Eco system-012004.dxf
Eco system-012004.dwg



Eco system-015001.dxf
Eco system-015001.dwg

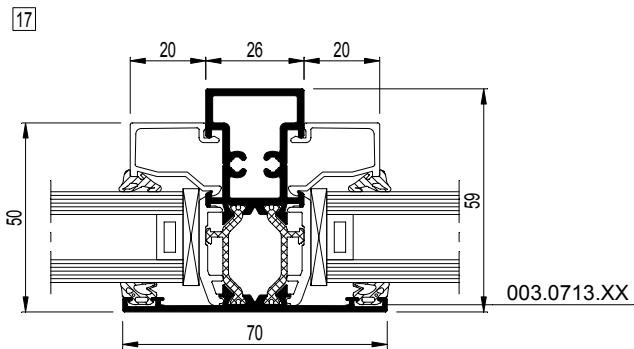


Eco system-016001.dxf
Eco system-016001.dwg

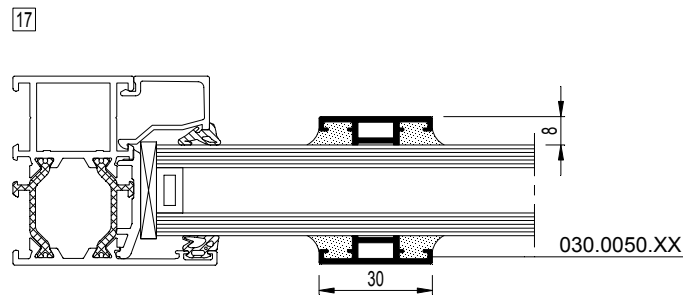


Eco system-017002.dxf
 Eco system-017002.dwg

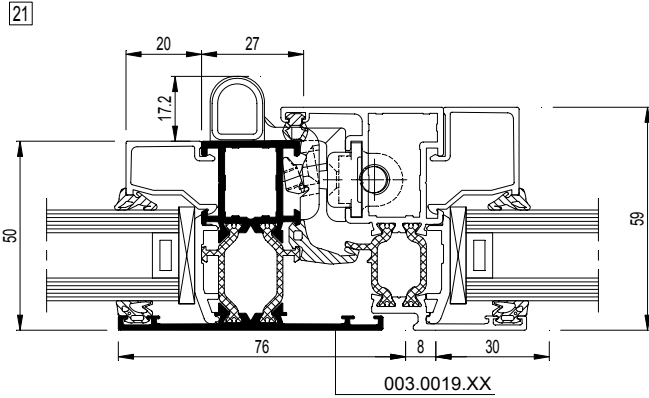
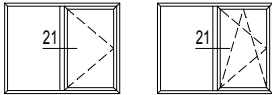
Zie ook T-profielen blz. 18-19
 Voire aussi traverse pag. 18-19
 Look also transom pag. 18-19
 Siehe auch Sprosse pag. 18-19




Eco system-017004.dxf
 Eco system-017004.dwg

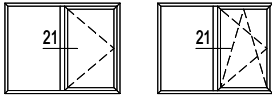


Eco system-017003.dxf
 Eco system-017003.dwg



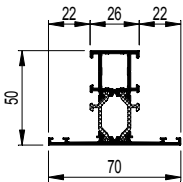
dxf
... .dwg





003.0013.XX

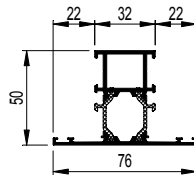
$I_x = 9.546 \text{ cm}^4$



21 Eco system-021001.dxf
 Eco system-021001.dwg

003.0019.XX

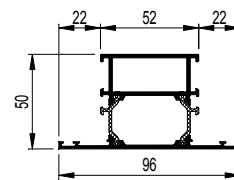
$I_x = 10.819 \text{ cm}^4$



21 Eco system-021002.dxf
 Eco system-021002.dwg

003.0014.XX

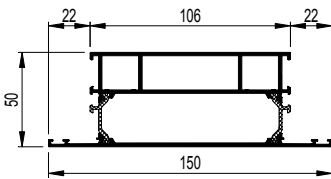
$I_x = 14.300 \text{ cm}^4$



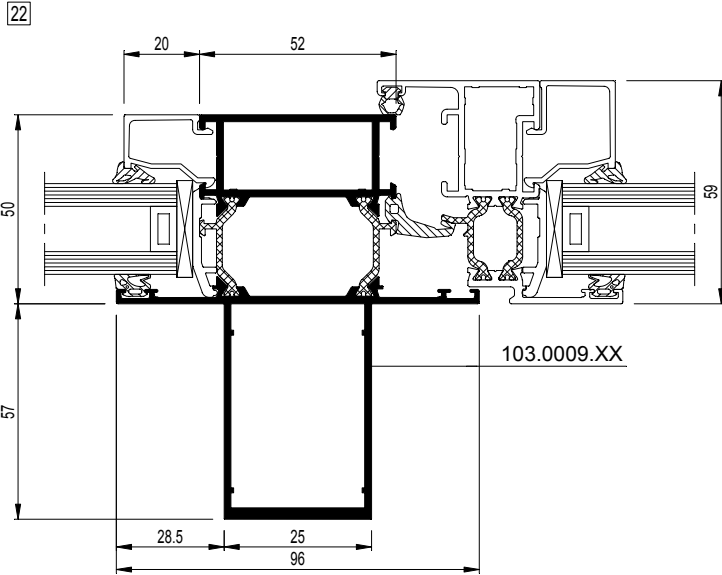
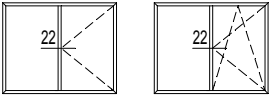
21 Eco system-021003.dxf
 Eco system-021003.dwg

003.0017.XX

$I_x = 25.007 \text{ cm}^4$



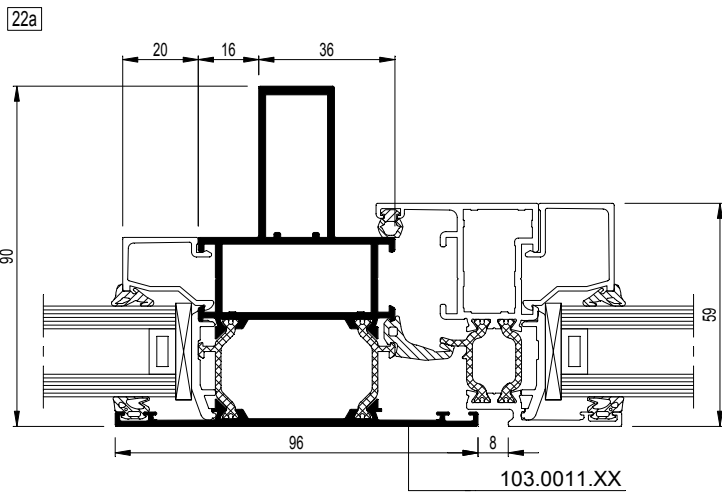
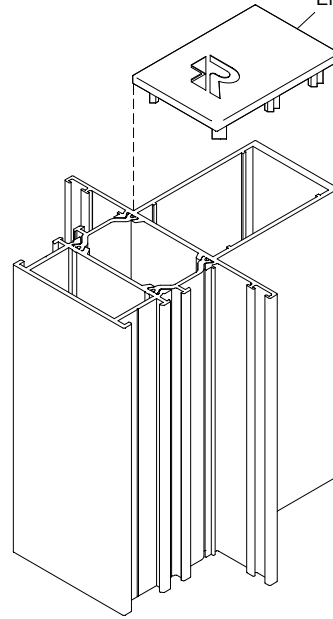
21 Eco system-021004.dxf
 Eco system-021004.dwg



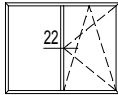
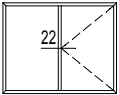
... .dxf
dwg



Einstukken beschikbaar
 Pieces de finition disponible
 End parts available
 Endstücke verfügbar

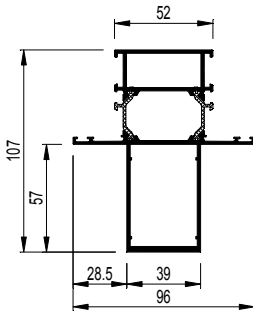


Eco system-022008.dxf
 Eco system-022008.dwg



103.0009.XX

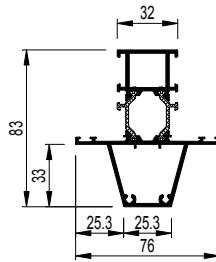
$I_x = 74.906 \text{ cm}^4$



22 Eco system-022001.dxf
 Eco system-022001.dwg

003.0420.XX

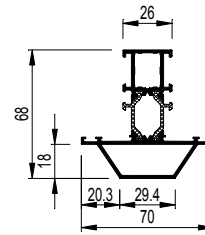
$I_x = 29.652 \text{ cm}^4$



22 Eco system-022002.dxf
 Eco system-022002.dwg

103.0882.XX

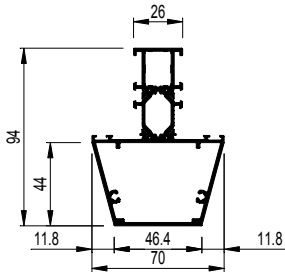
$I_x = 16.641 \text{ cm}^4$



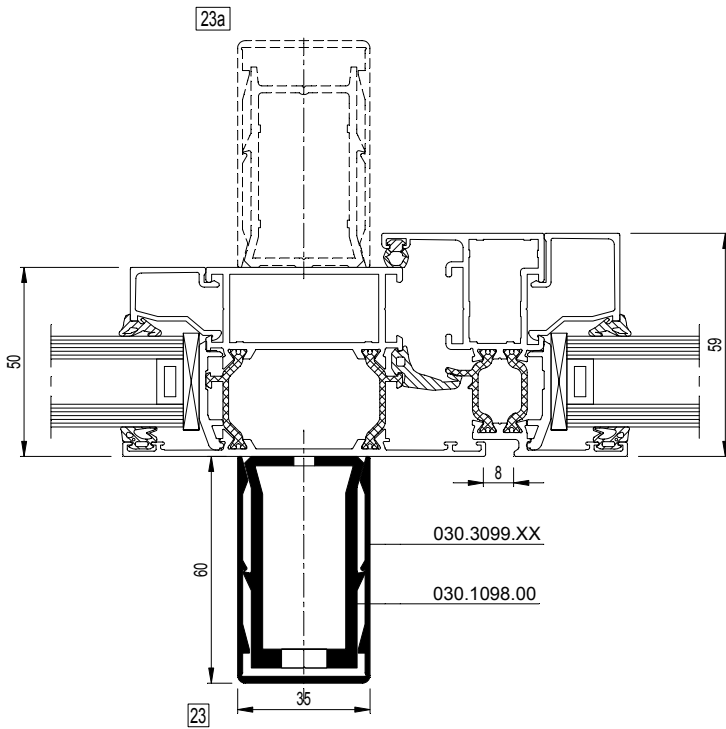
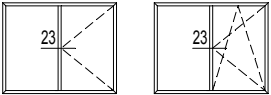
22 Eco system-022003.dxf
 Eco system-022003.dwg

103.0420.XX

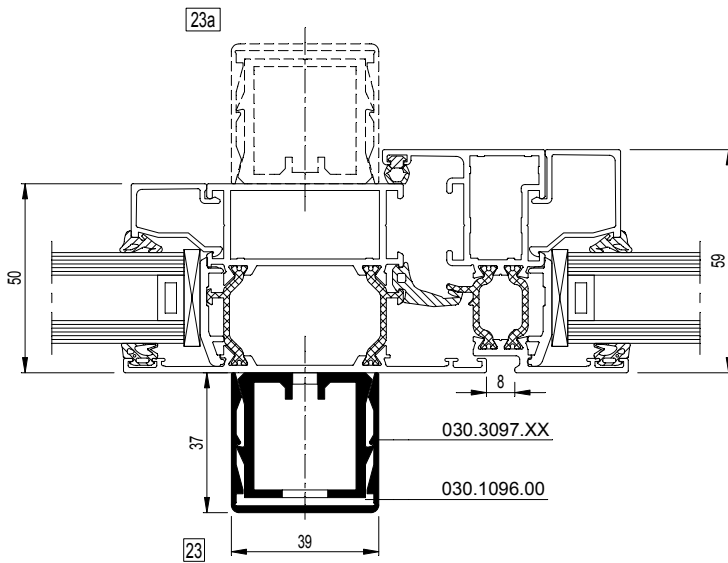
$I_x = 43.516 \text{ cm}^4$



22 Eco system-022004.dxf
 Eco system-022004.dwg



☞dxf
dwg

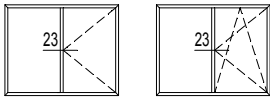


Nota : voor keuze van versteviging : zie waarden op blz. 25

Note : pour choix de renforcement : voir valeurs page 23

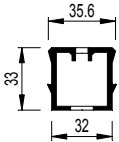
Note: For choice of reinforcement, see values on pages 23

Note : für Verstärkungswahl : siehe Werte Seite 23



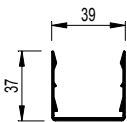
030.1096.00

$I_x = 4.881 \text{ cm}^4$



030.3097.XX

$I_x = 2.767 \text{ cm}^4$

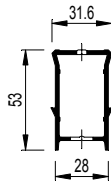


Eco system-023007.dxf
 Eco system-023007.dwg

Eco system-023008.dxf
 Eco system-023008.dwg

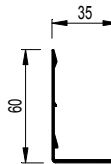
030.1097.00

$I_x = 10.260 \text{ cm}^4$



030.3099.XX

$I_x = 9.625 \text{ cm}^4$

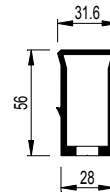


Eco system-023004.dxf
 Eco system-023004.dwg

Eco system-023006.dxf
 Eco system-023006.dwg

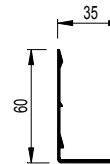
030.1098.00

$I_x = 19.656 \text{ cm}^4$



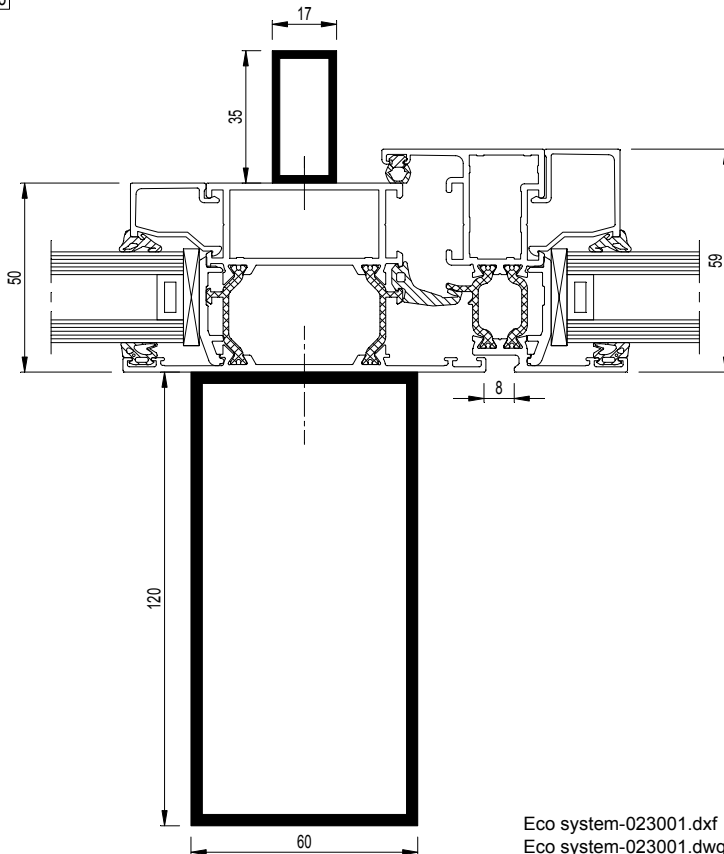
030.3099.XX

$I_x = 9.625 \text{ cm}^4$

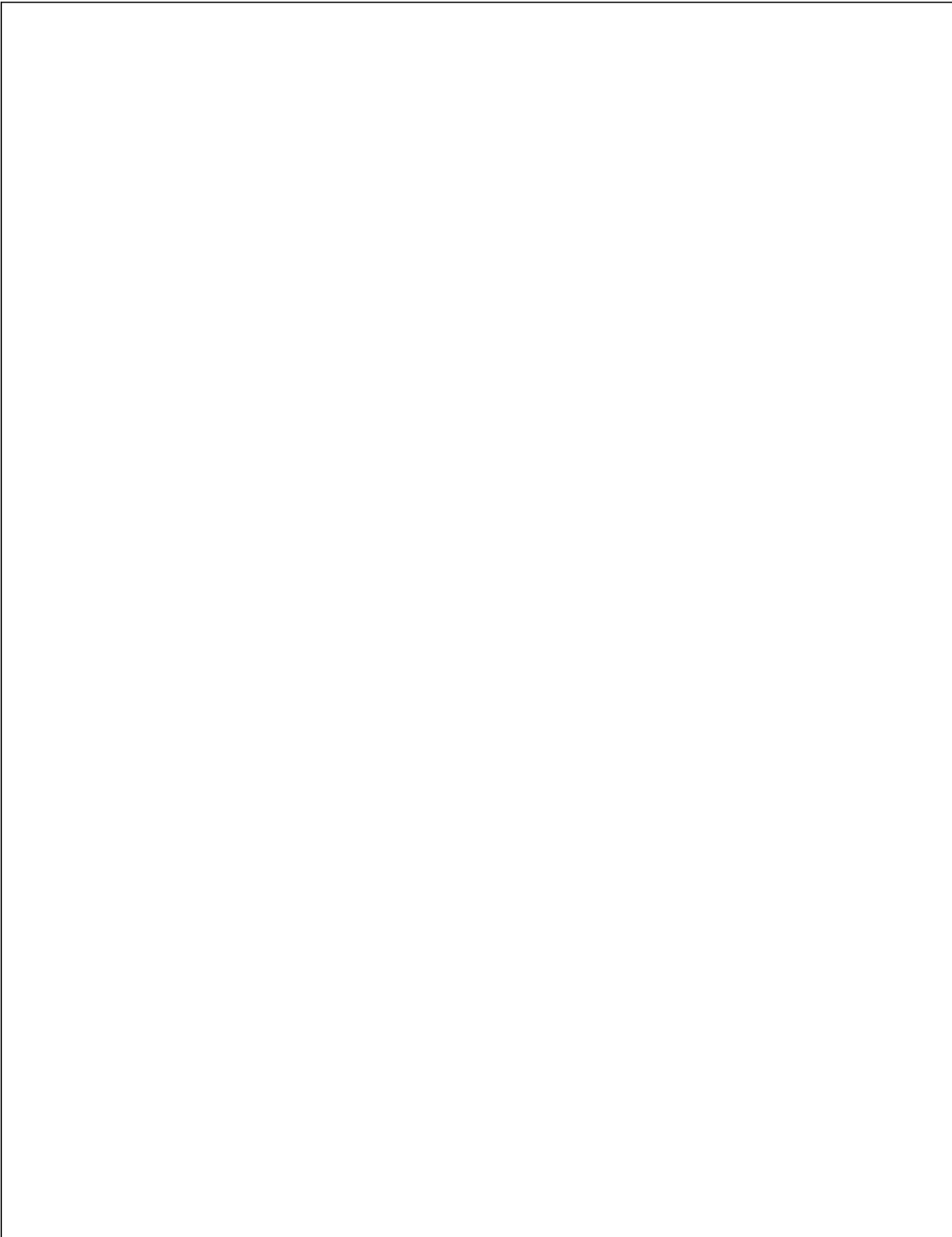


Eco system-023003.dxf
 Eco system-023003.dwg

Eco system-023005.dxf
 Eco system-023005.dwg



Eco system-023001.dxf
 Eco system-023001.dwg



Opmerking: - Versteving van binnenzijde + scharnier is niet mogelijk.
- Bevestiging: om de 300 mm
- Bij horizontale versteving, gelieve het Reynaers filiaal in uw land te contacteren

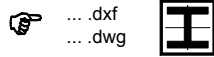
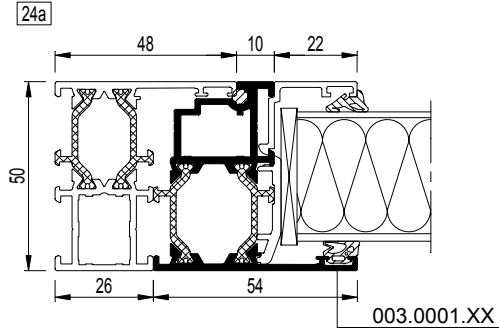
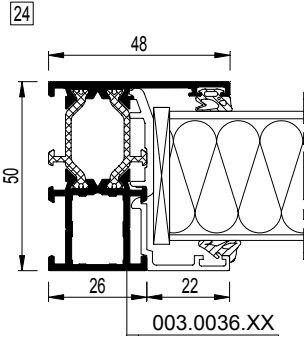
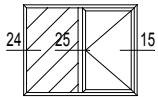


Remarque: - Positionnement du renfort à l'intérieur en présence de charnières non possible.
- Fixation: tous les 300 mm
- Pour utilisation comme renfort horizontal, veuillez contacter la succursale Reynaers dans votre pays.

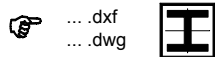
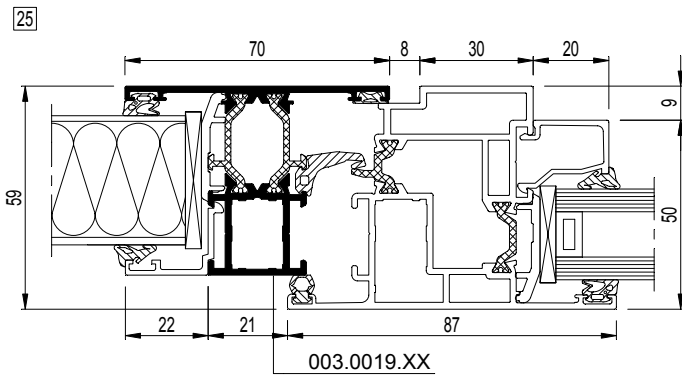
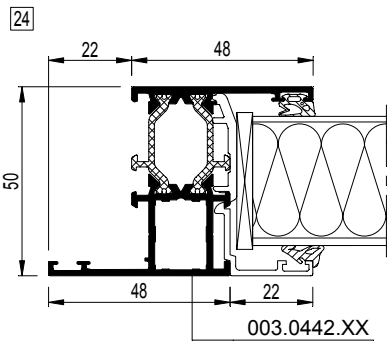
Remark: - Reinforcement of inner side + hinge is not possible in case the inner side of a transom-mullion < 75 mm
- Fixing: every 300 mm
- For horizontal reinforcements, please contact your local Reynaers office.

Anmerkung: - Verstärkung der Innenseite und des Bandes ist unmöglich wenn die Innenseite einer Sprosse < 75 mm
- Befestigung: jede 300 mm
- Bei horizontaler Verstärkung, Bitte kontaktieren Sie Ihre örtliche Reynaers Filiale

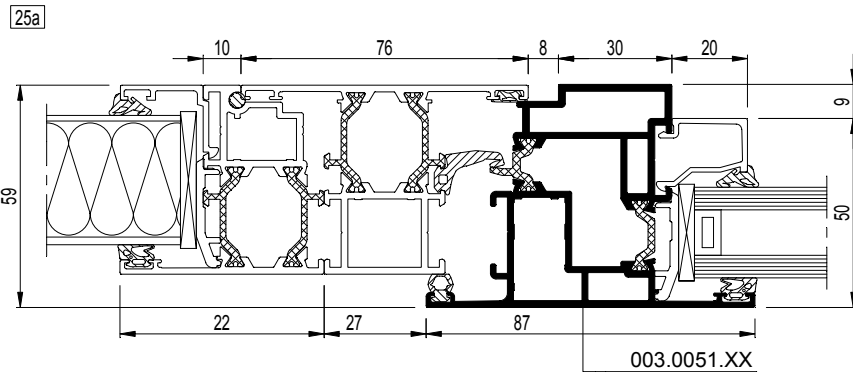
<p>i Versteving langs binnen Renforcement du côté intérieur Reinforcement inside Verstärkung der Innenseite</p>			<p>e Versteving langs buiten Renforcement du côté extérieur Reinforcement outside Verstärkung der Aussenseite</p>						
<p>T-profiel Traverse Transom-mullion Sprosse</p>	<p>Zonder versteving Sans renforcement Without reinforcement Ohne Verstärkung</p>		<p>met 030.1096.00 avec 030.1096.00 with mit</p>		<p>met 030.1097.00 avec 030.1097.00 with mit</p>		<p>met 030.1098.00 avec 030.1098.00 with mit</p>		
	lx cm4	Wx cm3	lx cm4	Wx cm3	lx cm4	Wx cm3	lx cm4	Wx cm3	
003.0013.XX 	9.546	3.255	e 29.307 6.297	6.297	e 43.637 8.428	8.428	e 65.476 10.967	10.967	
003.0019.XX 	10.819	3.804	i -- --	--	e 32.319 7.171	7.171	e 47.421 8.857	8.857	
003.0014.XX 	14.300	5.180	i 39.734 9.536	9.536	e 38.754 9.154	9.154	e 55.303 9.719	9.719	
			i 45.014 10.272	10.272	e 82.754 15.261	15.261	e 93.845 17.265	17.265	



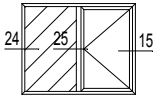
Eco system-024004.dxf
 Eco system-024004.dwg



Eco system-025001.dxf
 Eco system-025001.dwg

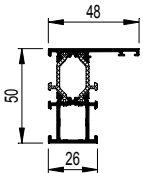


Eco system-025005.dxf
 Eco system-025005.dwg



003.0036.XX

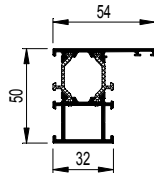
$I_x = 8.241 \text{ cm}^4$



24 Eco system-024001.dxf
 Eco system-024001.dwg

003.0016.XX

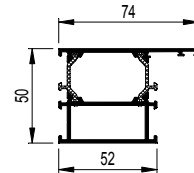
$I_x = 9.413 \text{ cm}^4$



24 Eco system-024002.dxf
 Eco system-024002.dwg

003.0025.XX

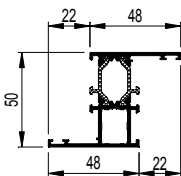
$I_x = 12.815 \text{ cm}^4$



24 Eco system-024003.dxf
 Eco system-024003.dwg

003.0442.XX

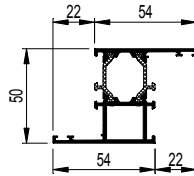
$I_x = 9.997 \text{ cm}^4$



24 Eco system-024005.dxf
 Eco system-024005.dwg

003.0441.XX

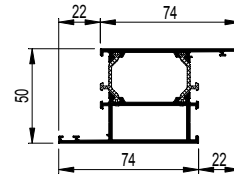
$I_x = 11.100 \text{ cm}^4$



24 Eco system-024006.dxf
 Eco system-024006.dwg

003.0451.XX

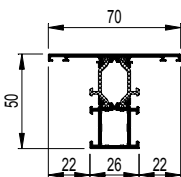
$I_x = 14.497 \text{ cm}^4$



24 Eco system-024007.dxf
 Eco system-024007.dwg

003.0013.XX

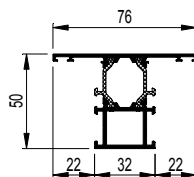
$I_x = 9.546 \text{ cm}^4$



25 Eco system-025001.dxf
 Eco system-025001.dwg

003.0019.XX

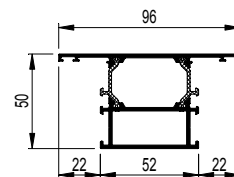
$I_x = 10.819 \text{ cm}^4$



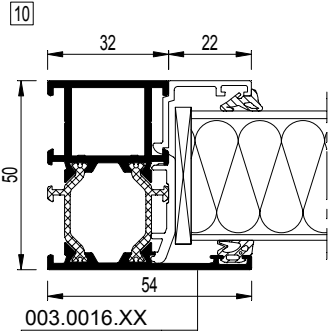
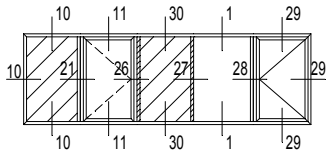
25 Eco system-025002.dxf
 Eco system-025002.dwg

003.0014.XX

$I_x = 14.300 \text{ cm}^4$

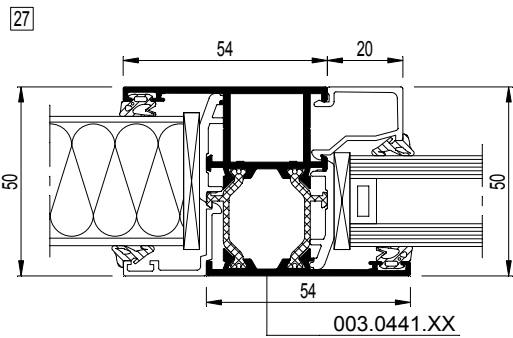
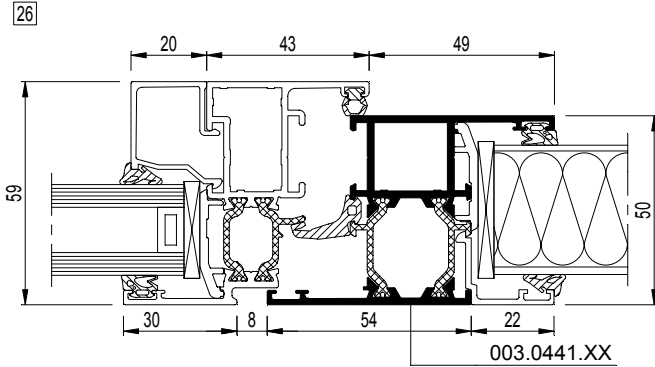


25 Eco system-025003.dxf
 Eco system-025003.dwg

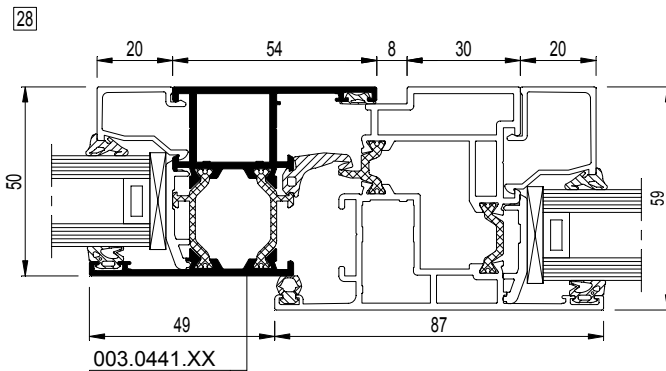


Eco system-010001.dxf
 Eco system-010001.dwg

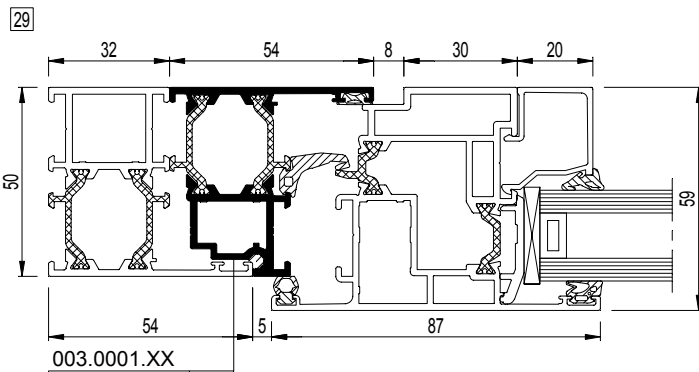
☞dxf
 ☞dwg



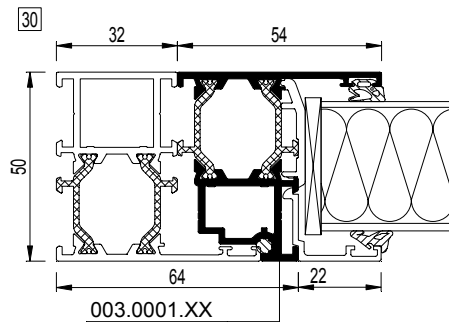
☞dxf
 ☞dwg



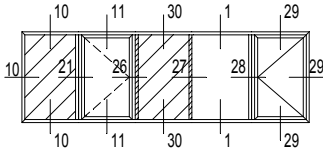
☞dxf
 ☞dwg



Eco system-029001.dxf
 Eco system-029001.dwg

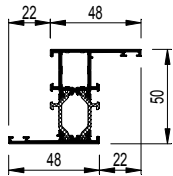


Eco system-030001.dxf
 Eco system-030001.dwg



003.0442.XX

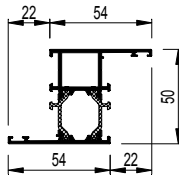
$I_x = 9.997 \text{ cm}^4$



- [26] Eco system-026001.dxf
Eco system-026001.dwg
- [27] Eco system-027001.dxf
Eco system-027001.dwg
- [28] Eco system-028001.dxf
Eco system-028001.dwg

003.0441.XX

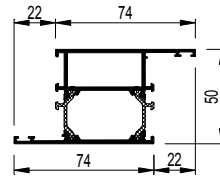
$I_x = 11.100 \text{ cm}^4$



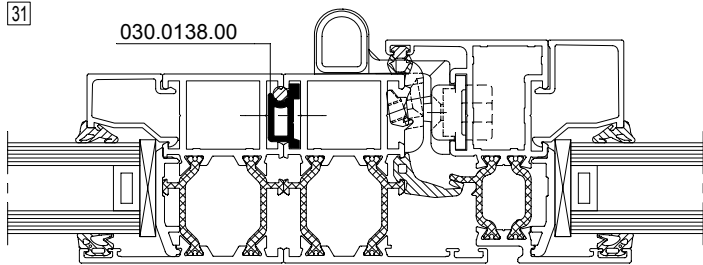
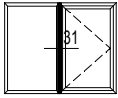
- [26] Eco system-026002.dxf
Eco system-026002.dwg
- [27] Eco system-027002.dxf
Eco system-027002.dwg
- [28] Eco system-028002.dxf
Eco system-028002.dwg

003.0451.XX

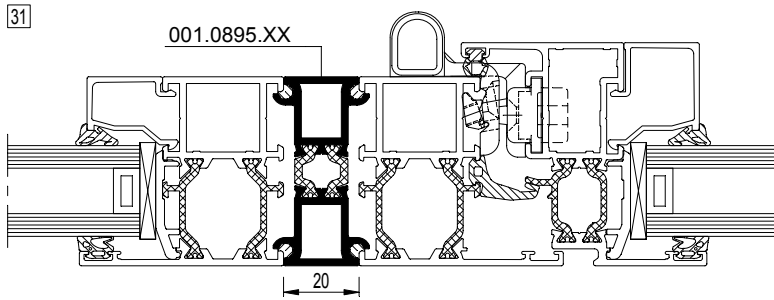
$I_x = 14.497 \text{ cm}^4$



- [26] Eco system-026003.dxf
Eco system-026003.dwg
- [27] Eco system-027003.dxf
Eco system-027003.dwg
- [28] Eco system-028003.dxf
Eco system-028003.dwg



Eco system-031001.dxf
 Eco system-031001.dwg

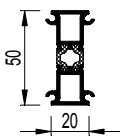


...dxf
 ...dwg



001.0895.XX

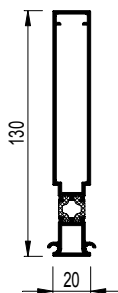
$I_x = 6.969 \text{ cm}^4$



Eco system-031002.dxf
 Eco system-031002.dwg

006.1971.XX

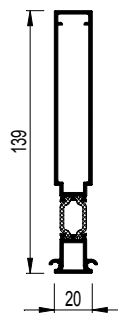
$I_x = 78.845 \text{ cm}^4$



Eco system-031006.dxf
 Eco system-031006.dwg

006.1972.XX

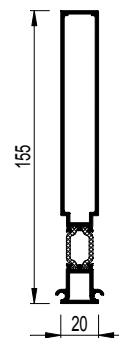
$I_x = 90.480 \text{ cm}^4$



Eco system-031007.dxf
 Eco system-031007.dwg

006.0371.XX

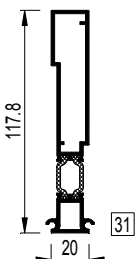
$I_x = 120.097 \text{ cm}^4$



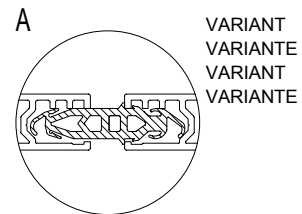
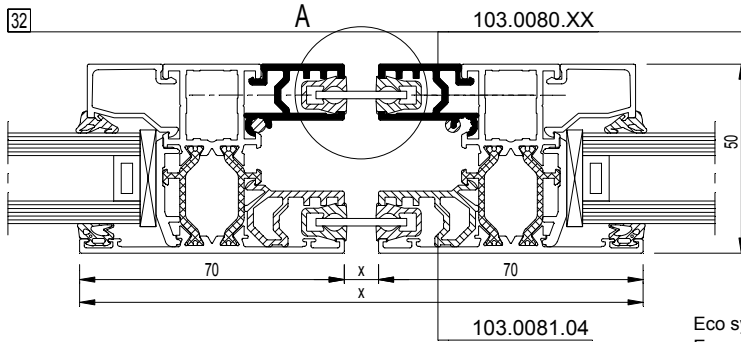
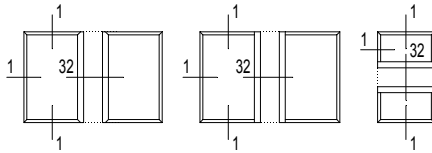
Eco system-031005.dxf
 Eco system-031005.dwg

005.1837.XX

$I_x = 58.021 \text{ cm}^4$



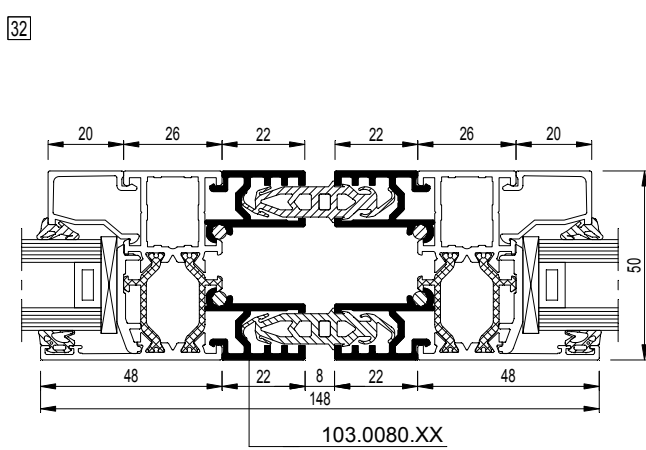
Eco system-031003.dxf
 Eco system-031003.dwg



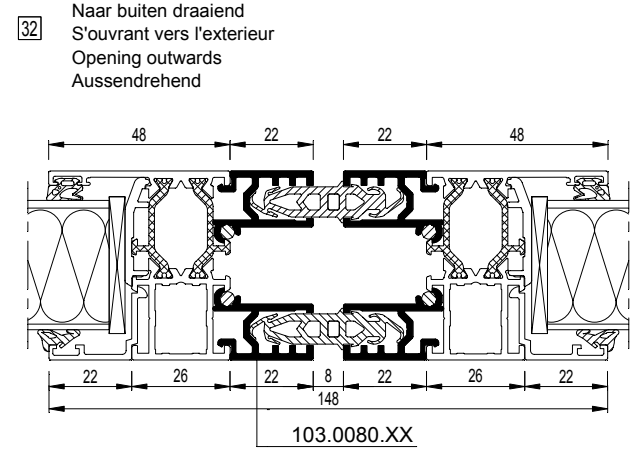
VARIANT
 VARIANTE
 VARIANT
 VARIANTE

Eco system-032002.dxf
 Eco system-032002.dwg

Eco system-032001.dxf
 Eco system-032001.dwg

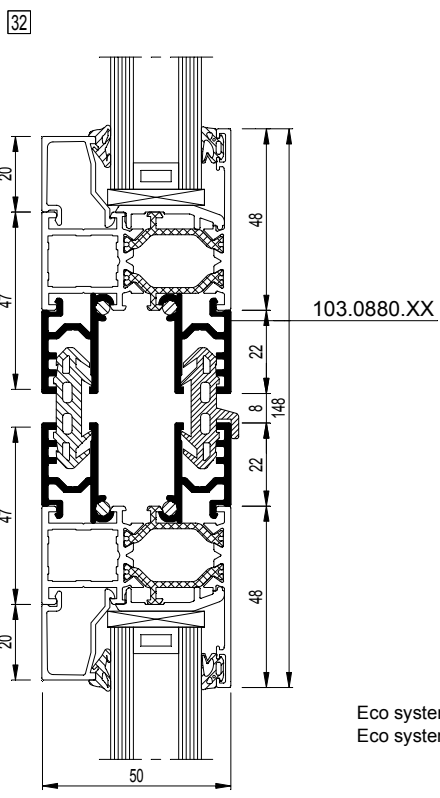


Eco system-032003.dxf
 Eco system-032003.dwg

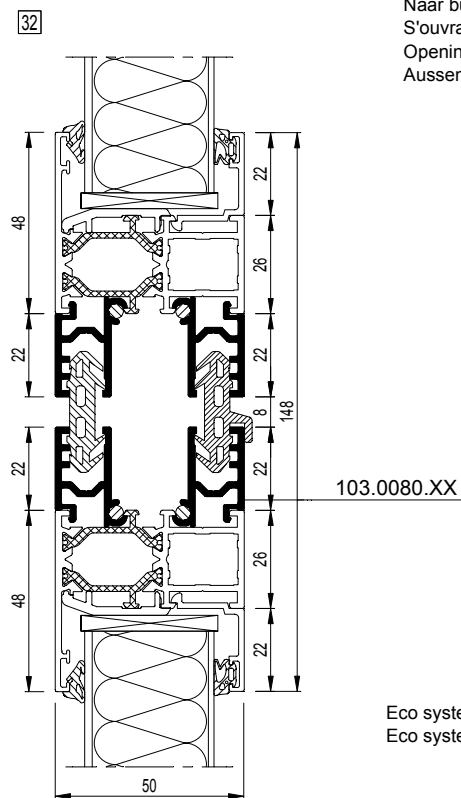


Eco system-032005.dxf
 Eco system-032005.dwg

Naar buiten draaiend
 S'ouvrant vers l'exterieur
 Opening outwards
 Aussendrehend

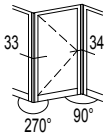


Eco system-032004.dxf
 Eco system-032004.dwg

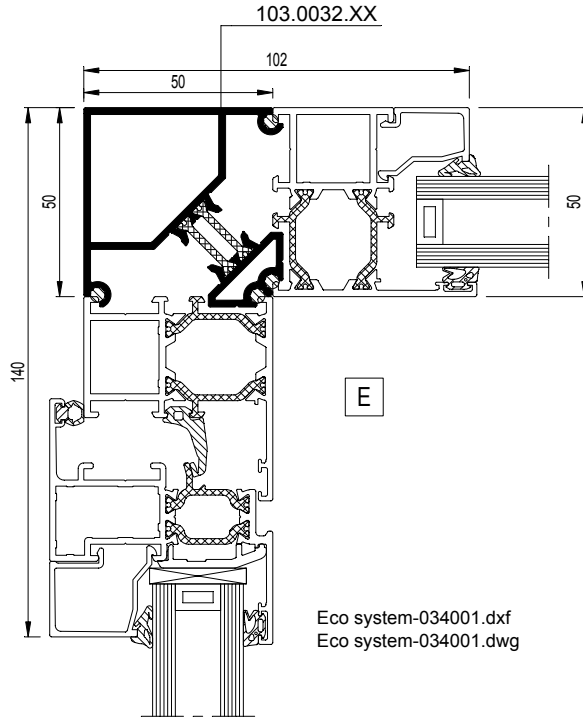


Eco system-032006.dxf
 Eco system-032006.dwg

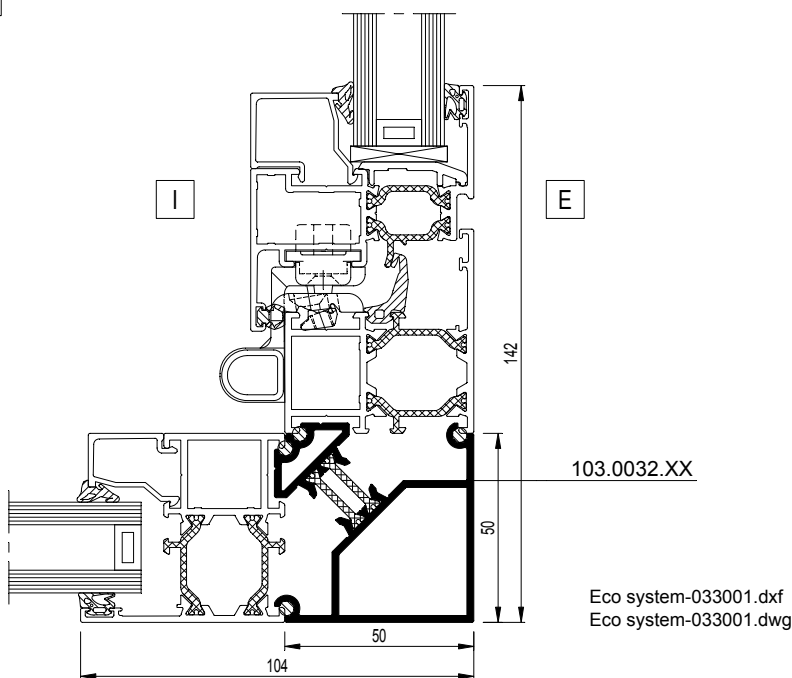
Naar buiten draaiend
 S'ouvrant vers l'exterieur
 Opening outwards
 Aussendrehend

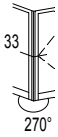


34

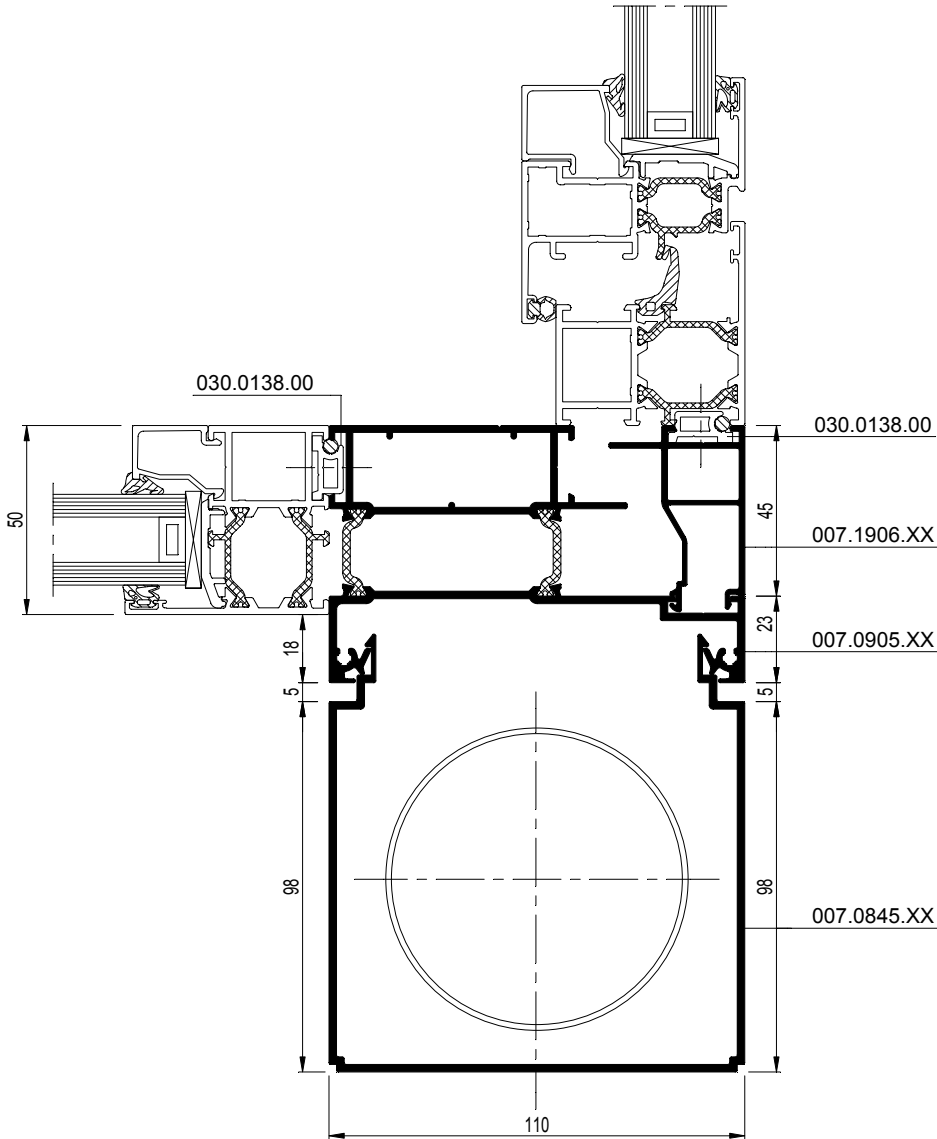


33



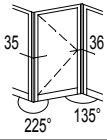


33

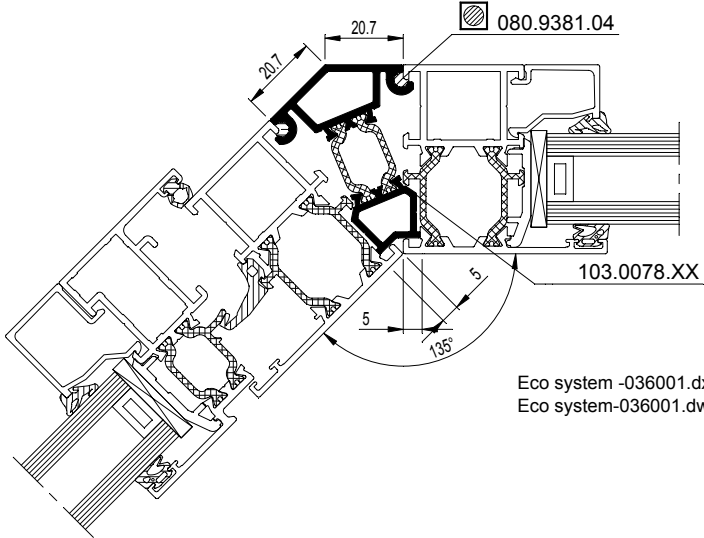


VARIANTE

Eco system-033002.dxf
Eco system-033002.dwg

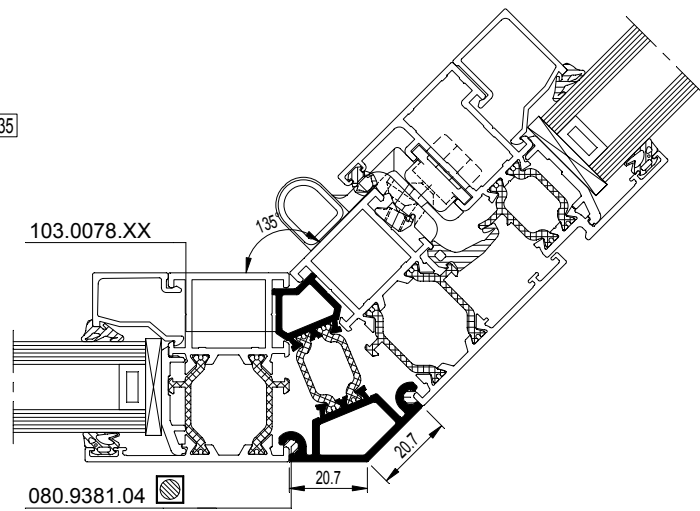


36

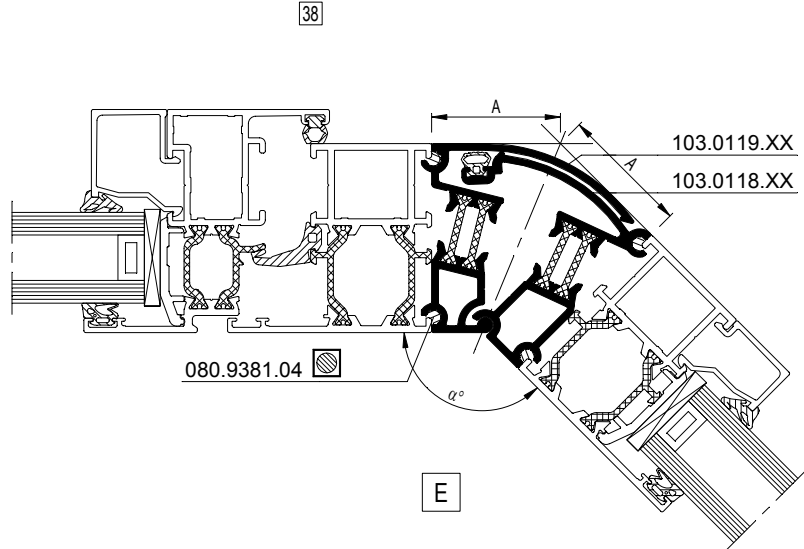
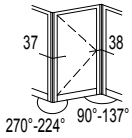


Eco system -036001.dxf
Eco system-036001.dwg

35

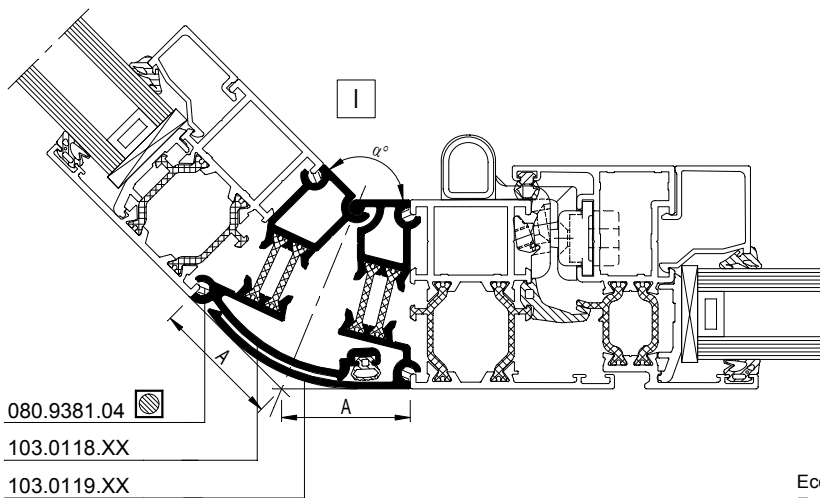


Eco system-035001.dxf
Eco system-035001.dwg



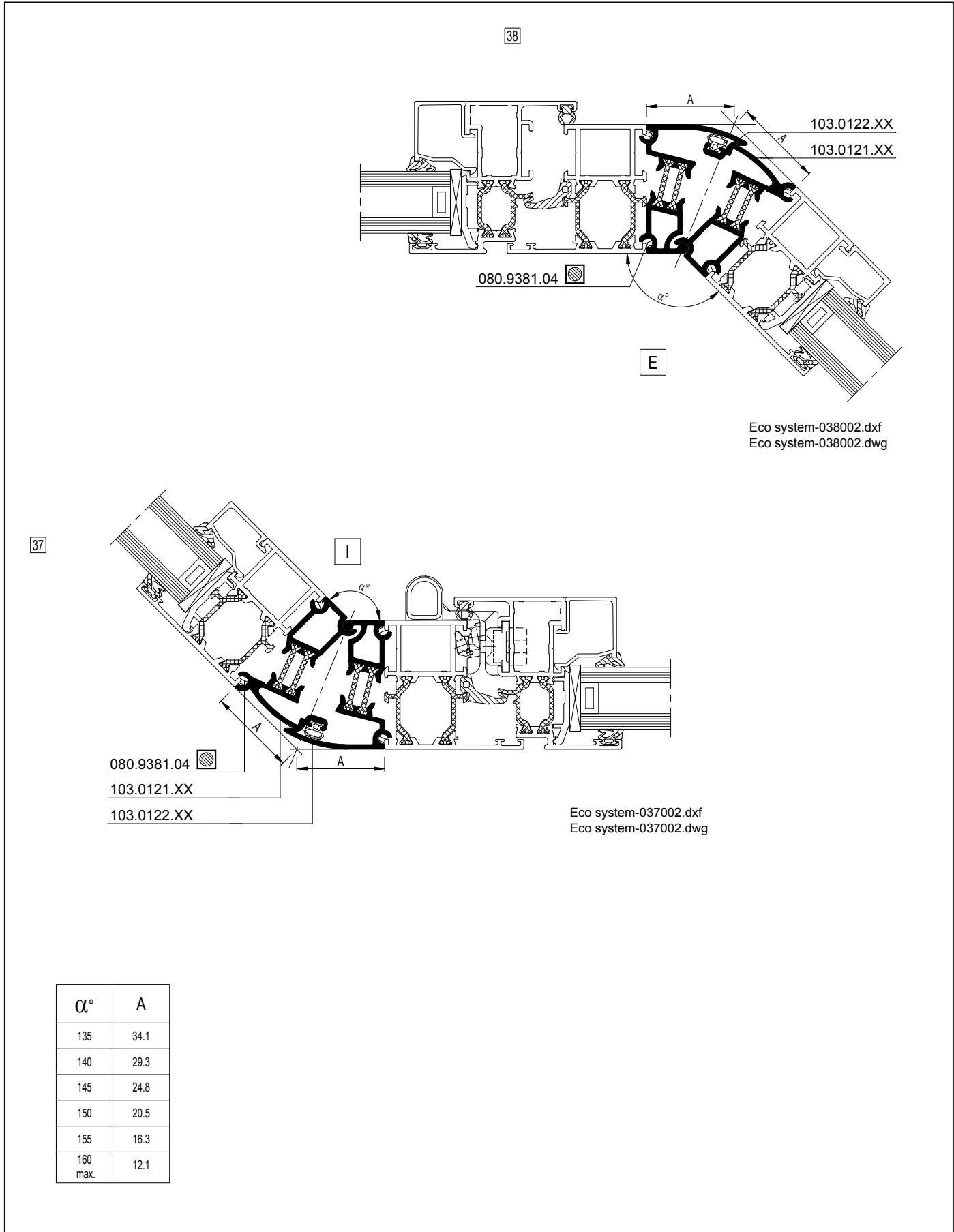
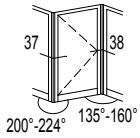
Eco system-038001.dxf
 Eco system-038001.dwg

37

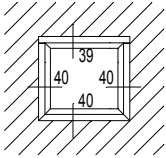


Eco system-037001.dxf
 Eco system-037001.dwg

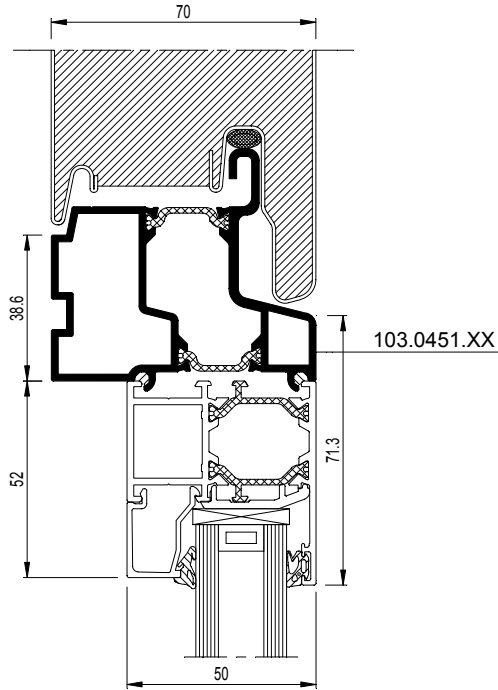
α°	A
90	62.2
95	58.2
100	54.5
105	51
110	47.8
115	44.8
120	41.9
125	39.2
130	36.6
135	34.1
max.137°	



α°	A
135	34.1
140	29.3
145	24.8
150	20.5
155	16.3
160	12.1
max.	

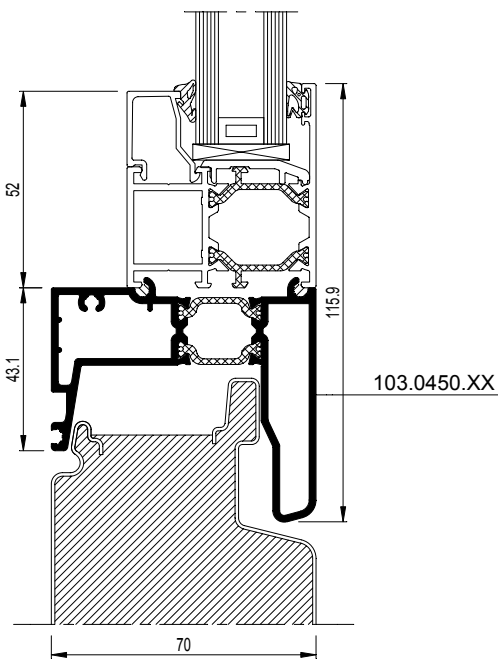


39



Eco system-039001.dxf
Eco system-039001.dwg

40



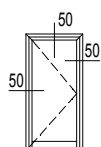
Eco system-040001.dxf
Eco system-040001.dwg

Eco system (Portes)

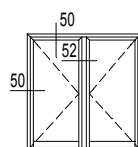


5 Portes ouvrant vers l'intérieur

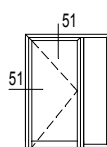
Portes ouvrant vers l'intérieur



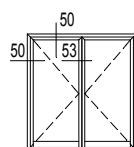
Eco system - 050



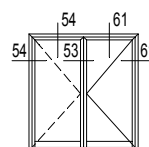
Eco system - 050



Eco system - 050

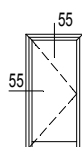


Eco system - 051

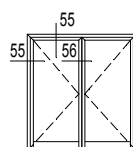


Eco system - 051

Portes ouvrant vers l'intérieur avec profilé en tête

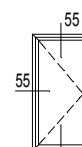


Eco system - 052

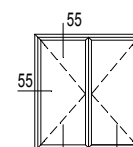


Eco system - 052

... avec ouvrant serri tout autour

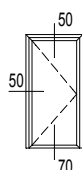


Eco system - 052

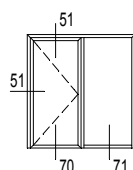


Eco system - 052

Portes ouvrant vers l'intérieur avec ouvrant serri tout autour

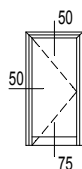


Eco system - 054

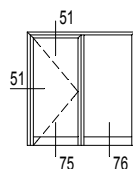


Eco system - 054

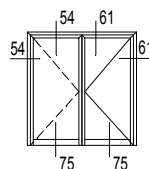
Portes et portes fenêtres avec traverses



Eco system - 055



Eco system - 055



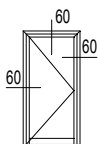
Eco system - 055

Eco system (Portes)

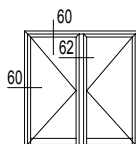


6 Portes ouvrant vers l'extérieur

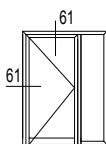
Portes ouvrant vers l'extérieur



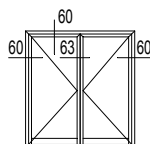
Eco system - 060



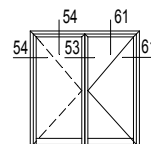
Eco system - 060



Eco system - 060

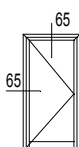


Eco system - 061

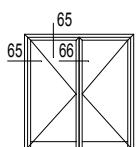


Eco system - 051

Portes ouvrant vers l'extérieur avec profilé enêtre

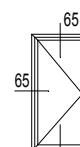


Eco system - 062

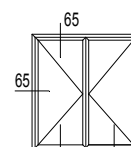


Eco system - 062

... avec ouvrant serti tout autour

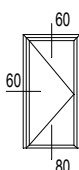


Eco system - 062

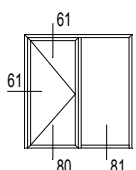


Eco system - 062

Portes ouvrant vers l'extérieur avec ouvrant serti tout autour

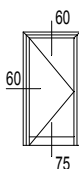


Eco system - 062

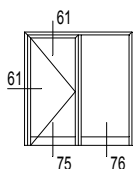


Eco system - 062

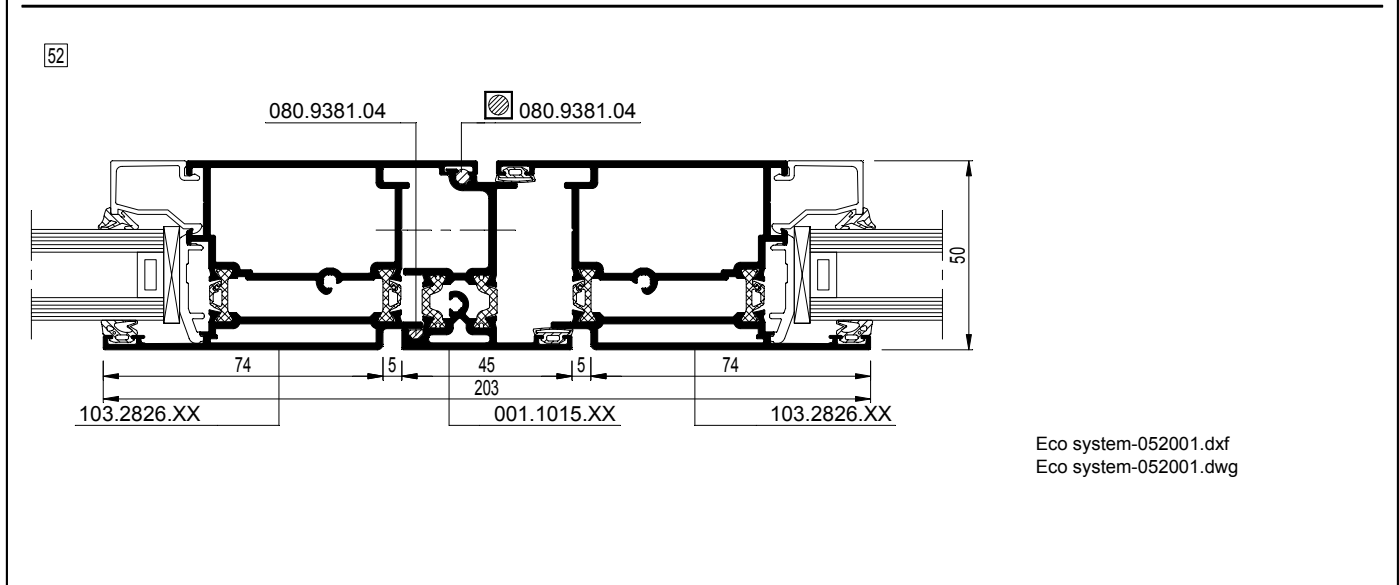
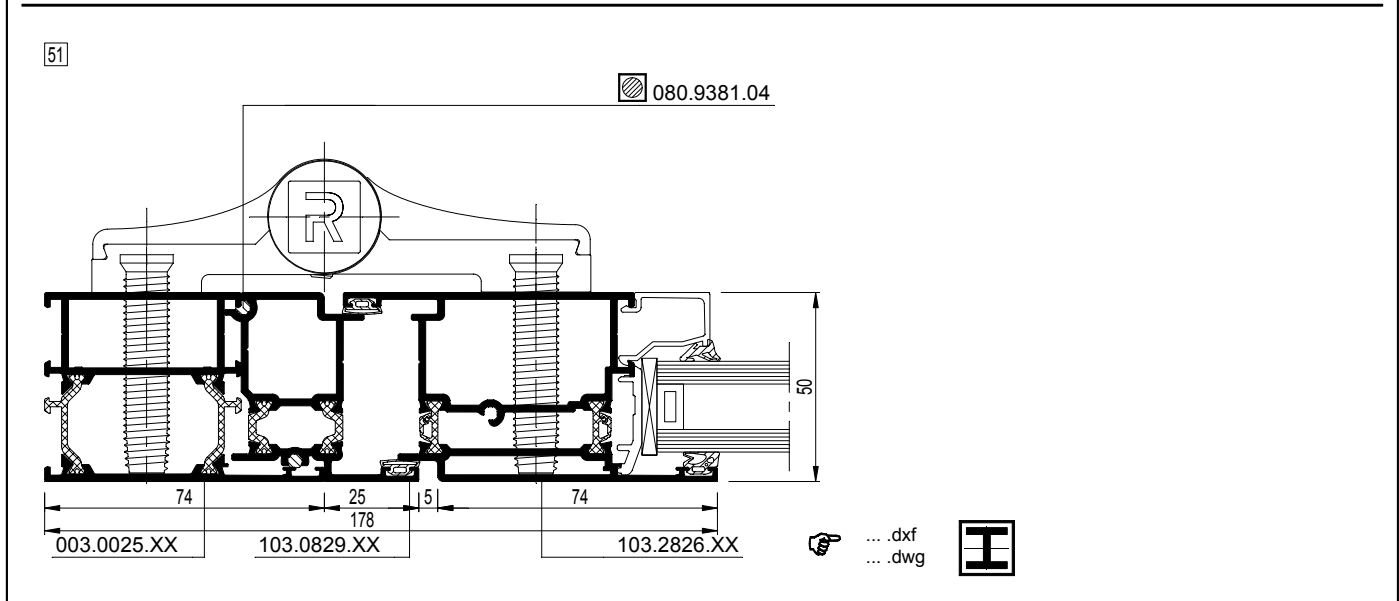
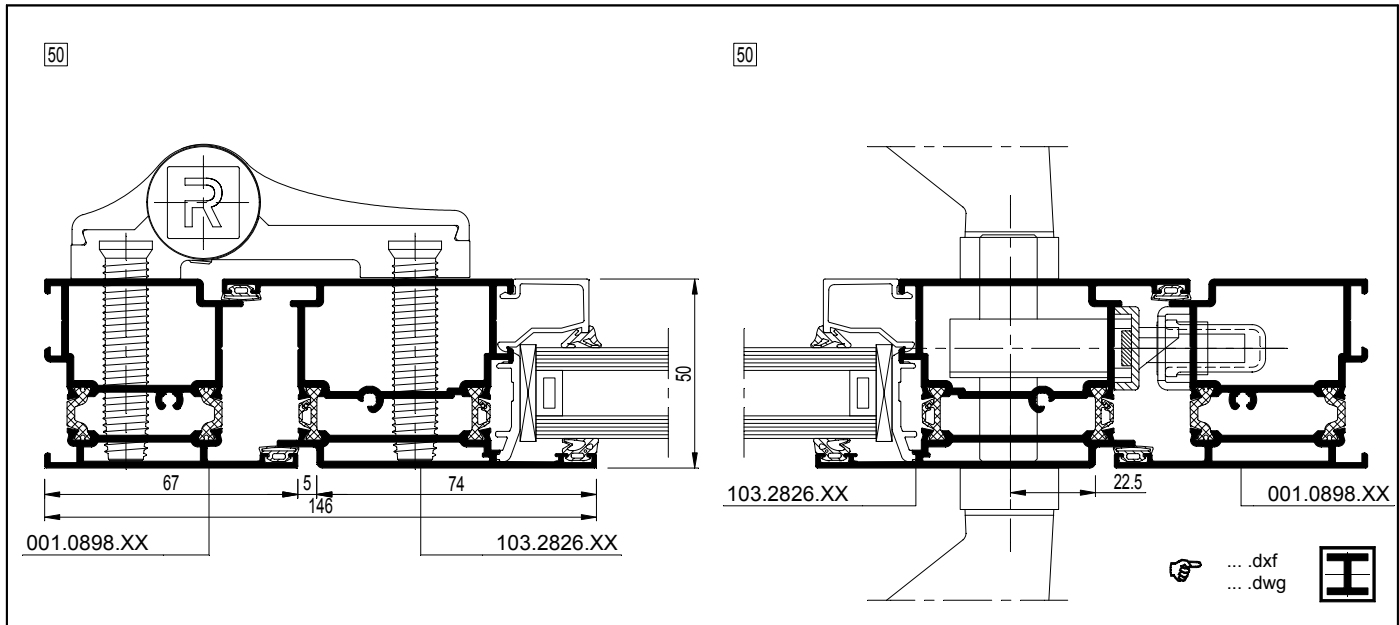
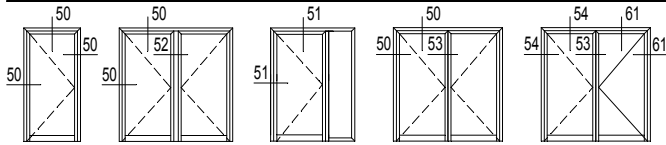
Portes et portes fenêtres avec traverses



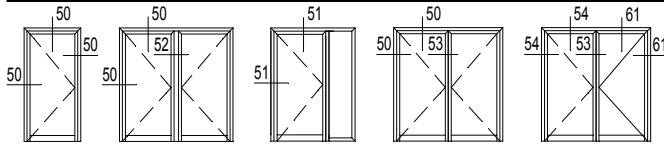
Eco system - 055



Eco system - 055

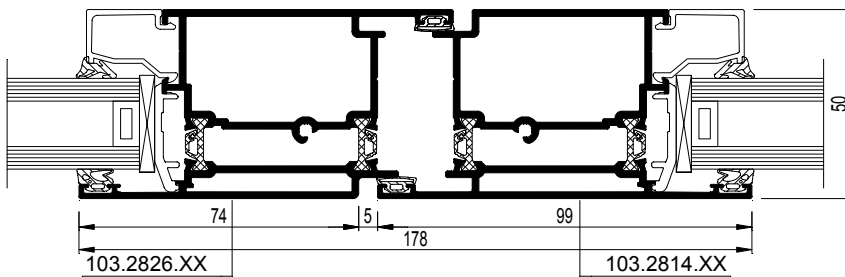


Eco system-052001.dxf
 Eco system-052001.dwg



<p>001.0898.XX</p> <p>lx = 12.386 cm⁴</p> <p>50 Eco system-050001.dxf Eco system-050001.dwg</p>	<p>103.0839.XX</p> <p>lx = 13.654 cm⁴</p> <p>50 Eco system-050002.dxf Eco system-050002.dwg</p>	<p>003.0025.XX</p> <p>lx = 12.815 cm⁴</p> <p>51 Eco system-051002.dxf Eco system-051002.dwg</p>	<p>003.0014.XX</p> <p>lx = 14.300 cm⁴</p> <p>51 Eco system-051003.dxf Eco system-051003.dwg</p>
---	---	---	---

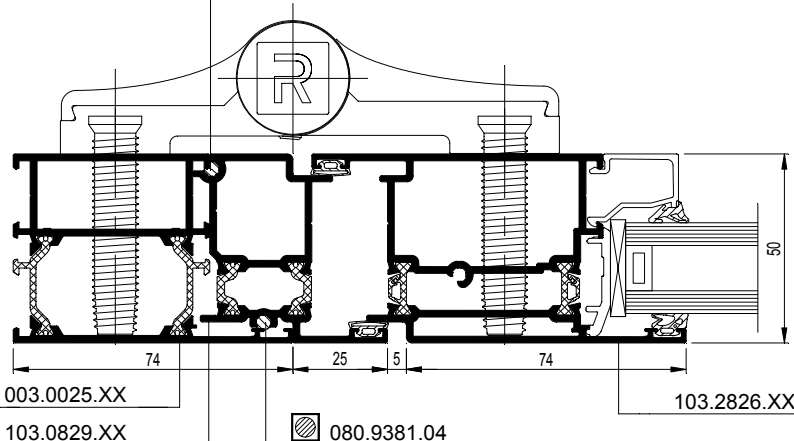
53 ZT



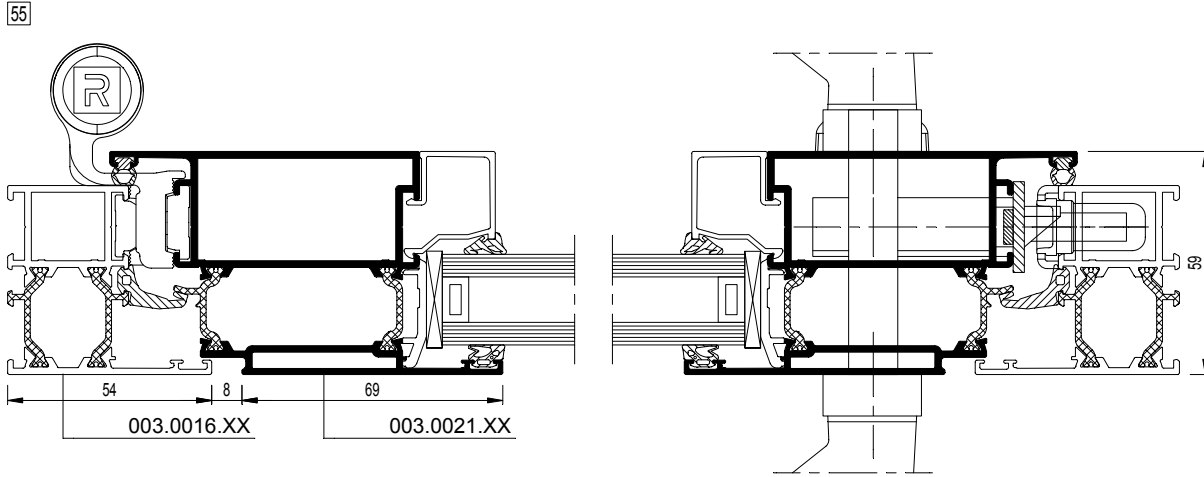
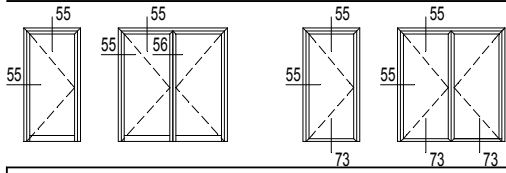
Eco system-053001.dxf
Eco system-053001.dwg

54

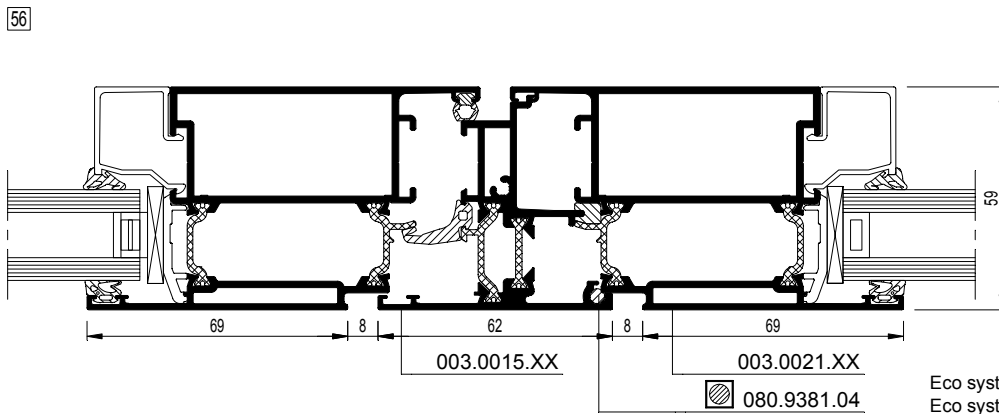
080.9381.04



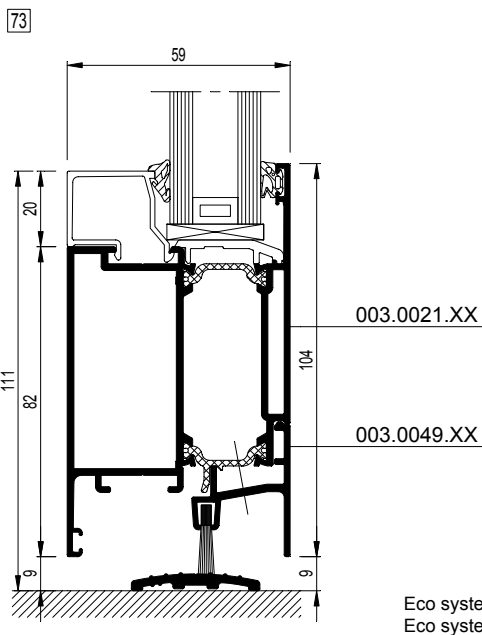
Eco system-054001.dxf
Eco system-054001.dwg



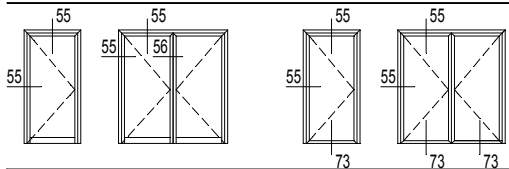
Eco system-055001.dxf
 Eco system-055001.dwg



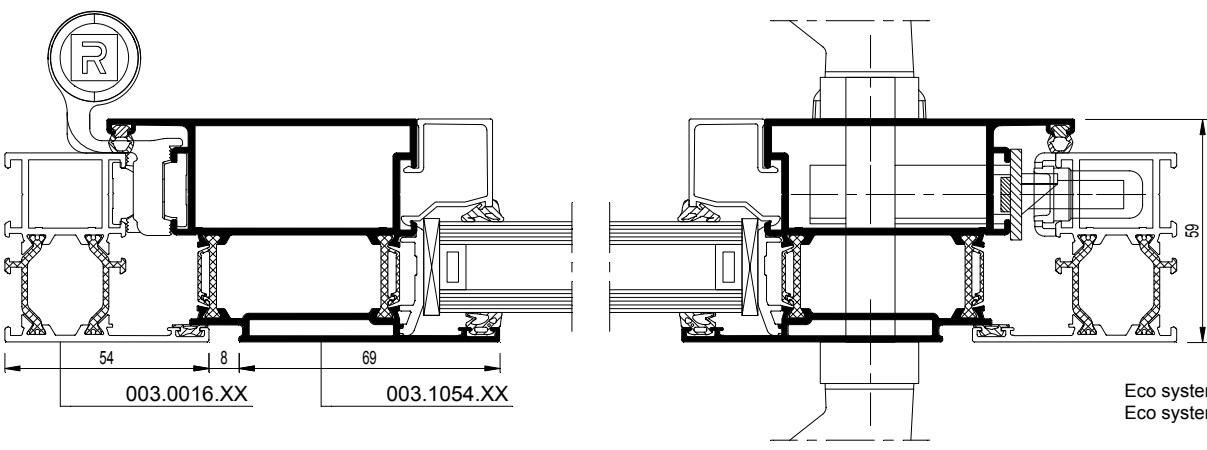
Eco system-056001.dxf
 Eco system-056001.dwg



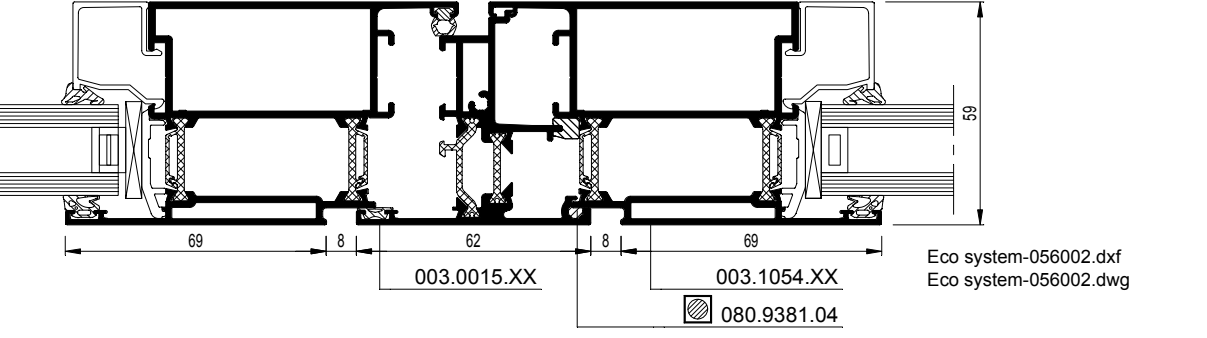
Eco system-073001.dxf
 Eco system-073001.dwg



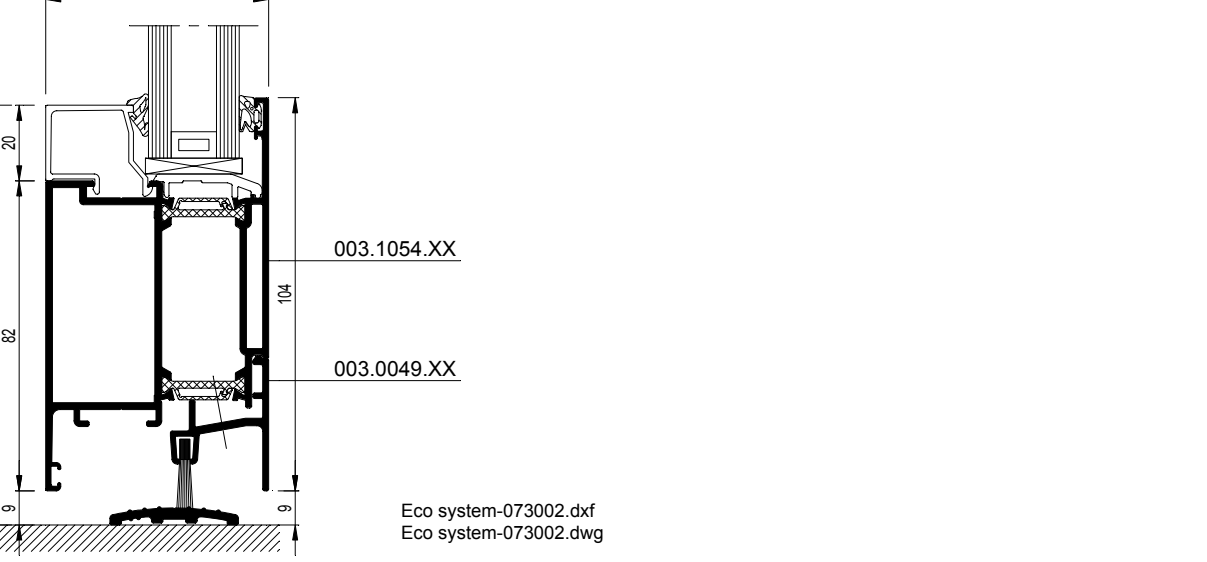
VARIANT
 VARIANTE
 VARIANT
 VARIANTE

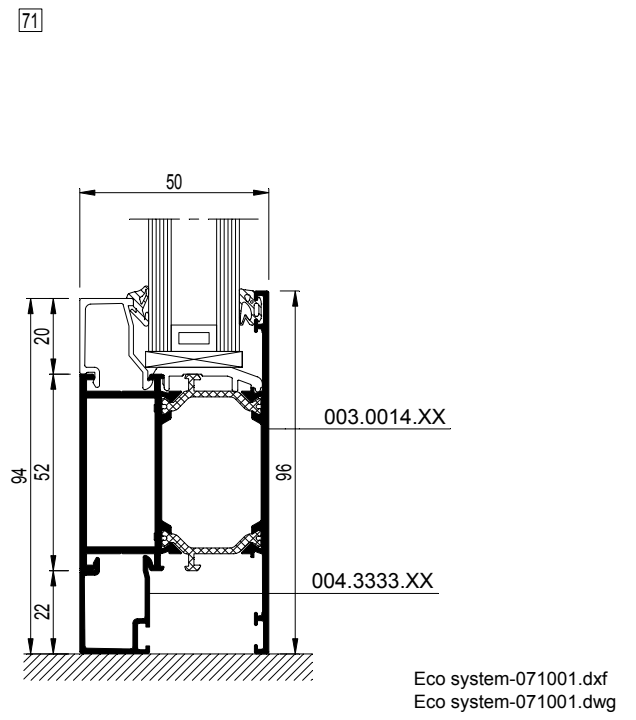
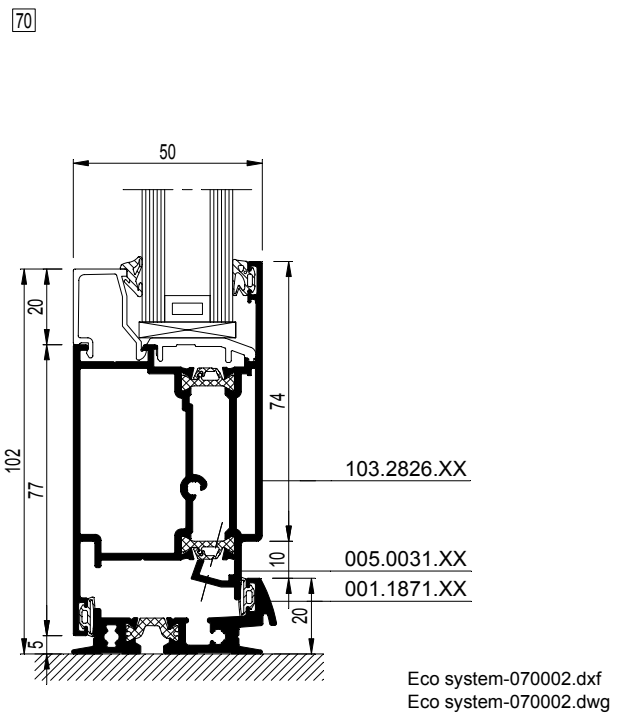
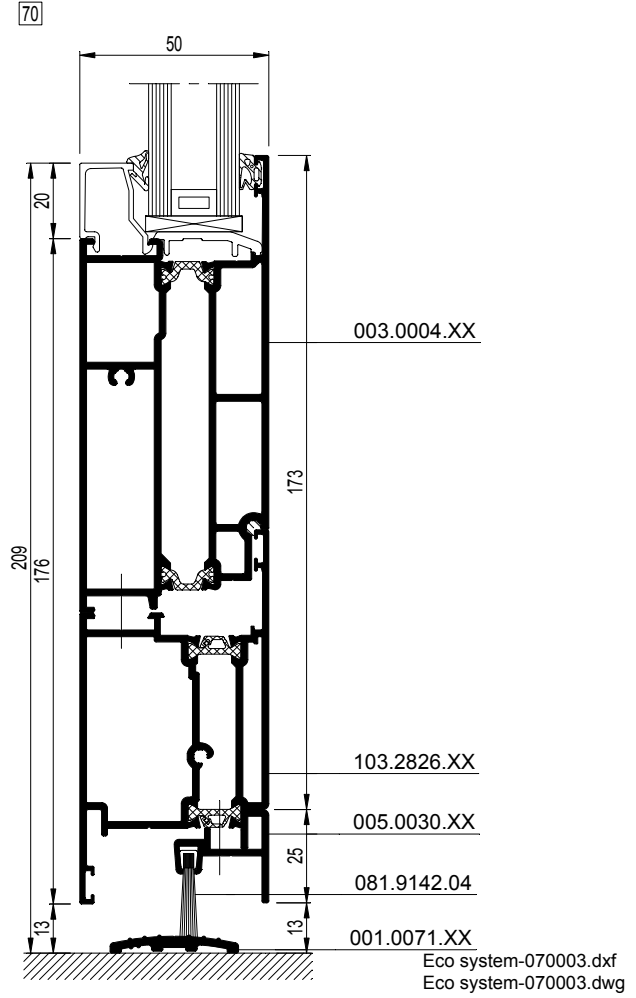
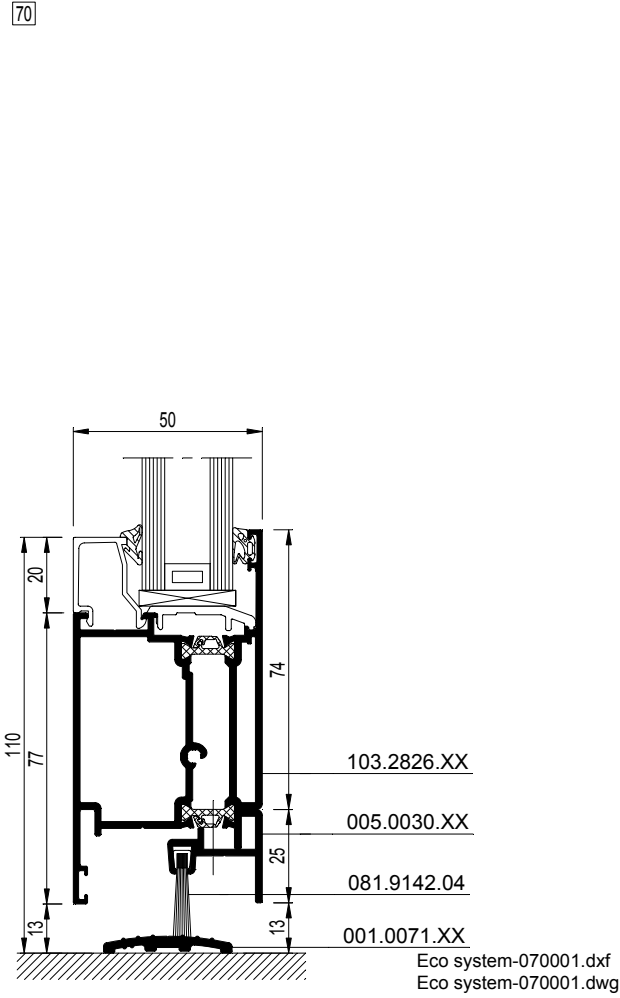
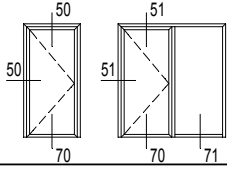


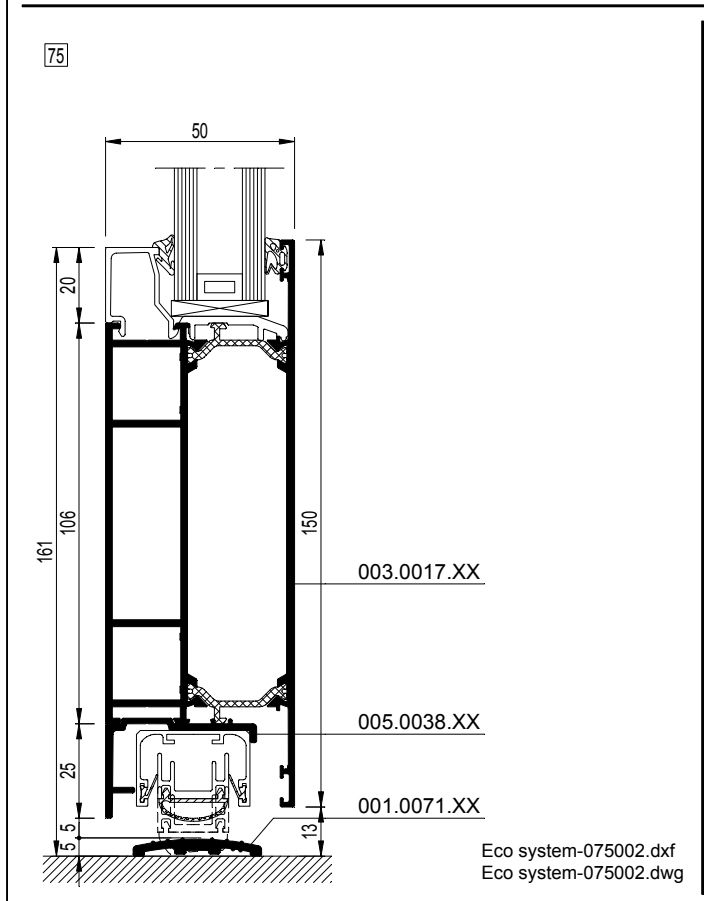
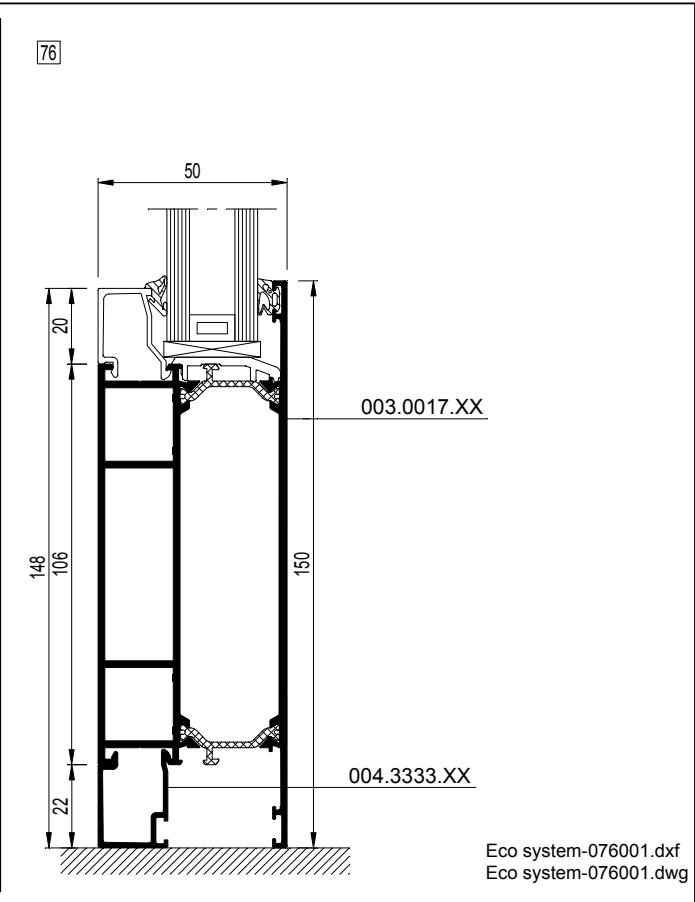
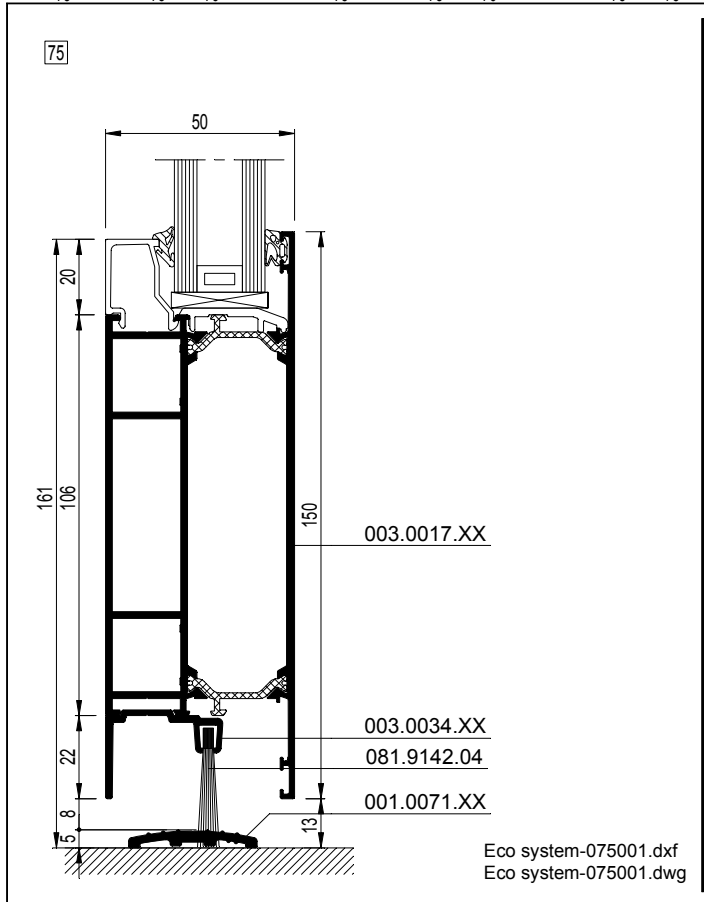
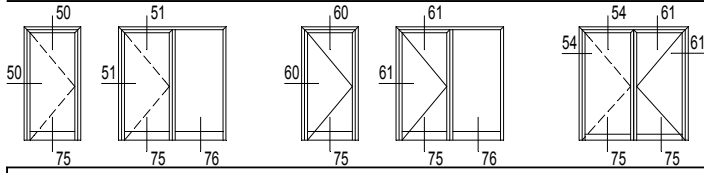
VARIANT
 VARIANTE
 VARIANT
 VARIANTE

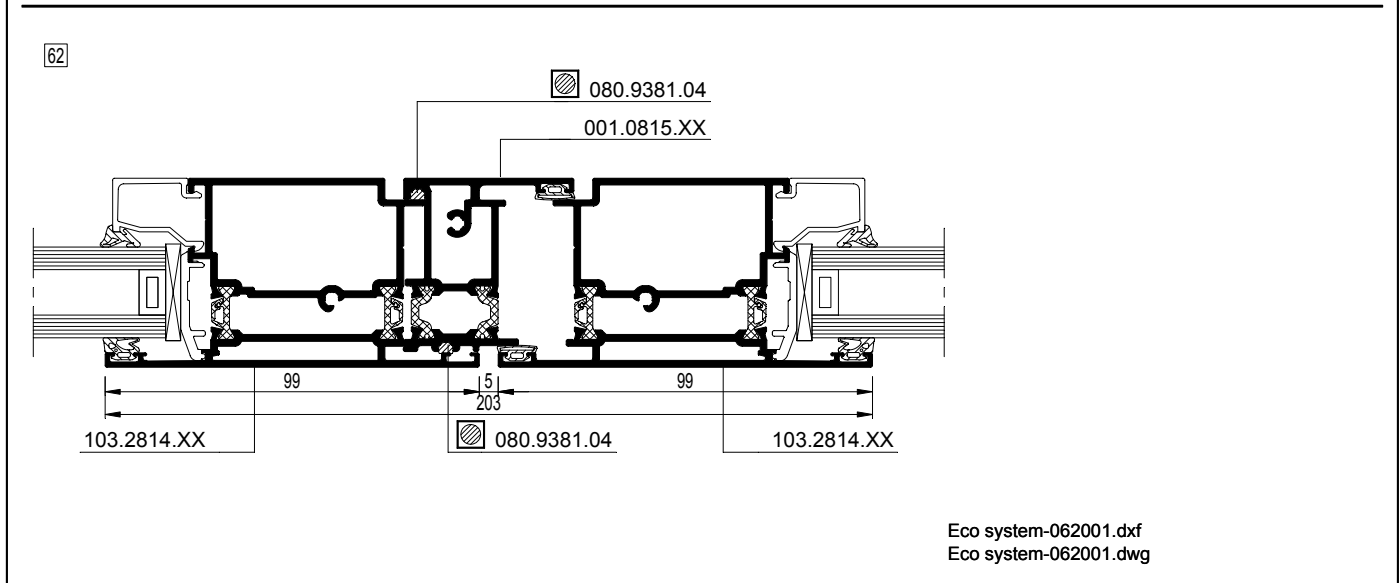
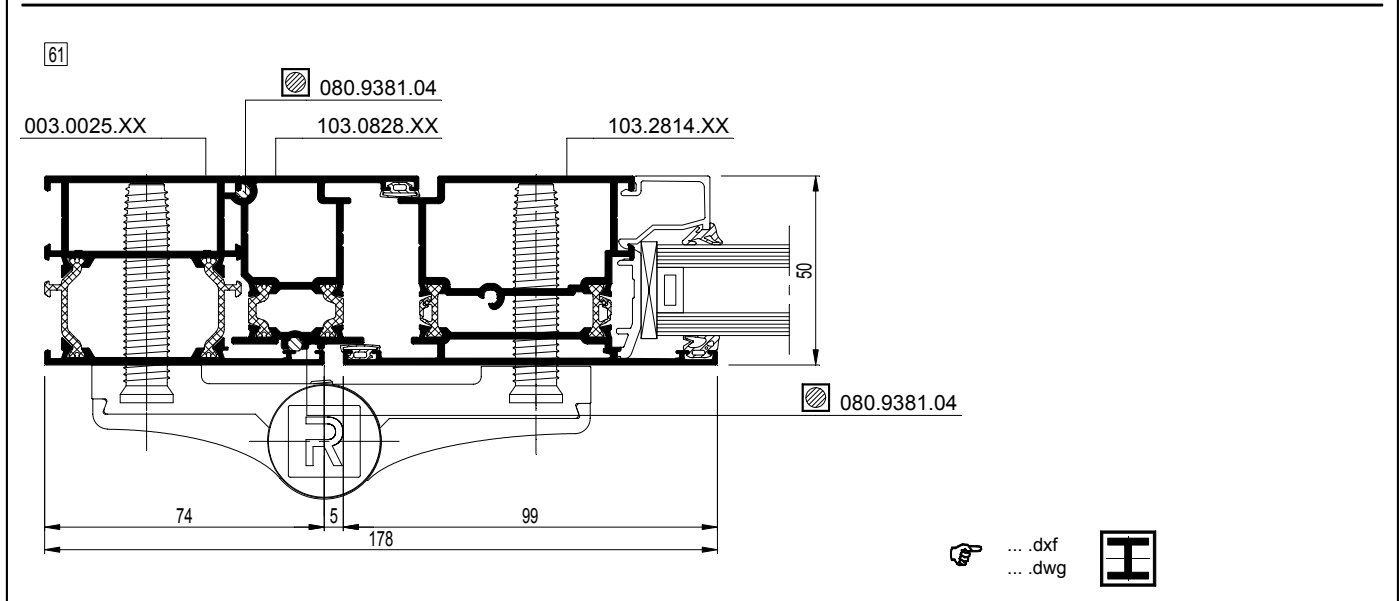
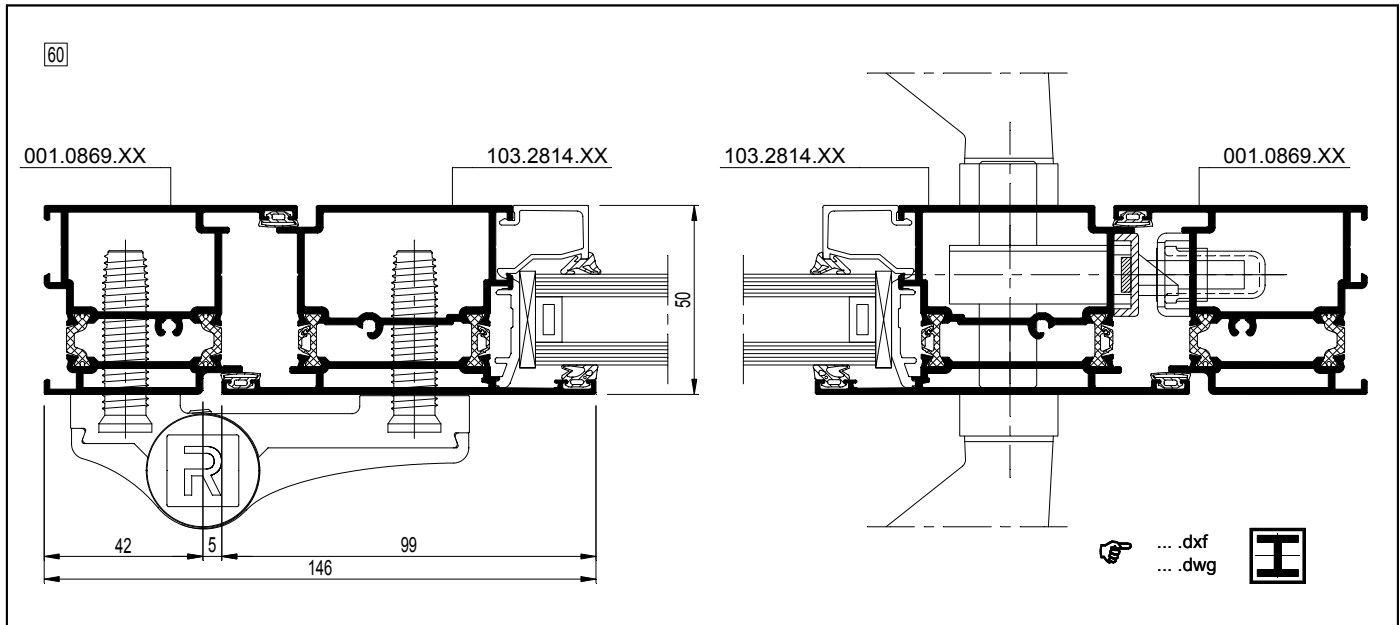
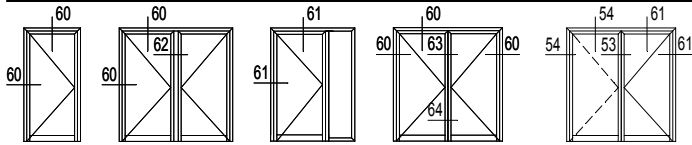


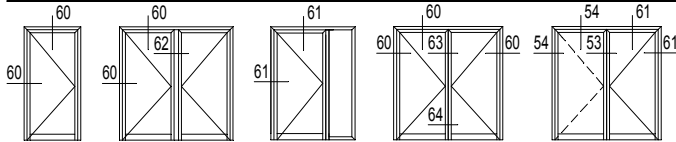
VARIANT
 VARIANTE
 VARIANT
 VARIANTE





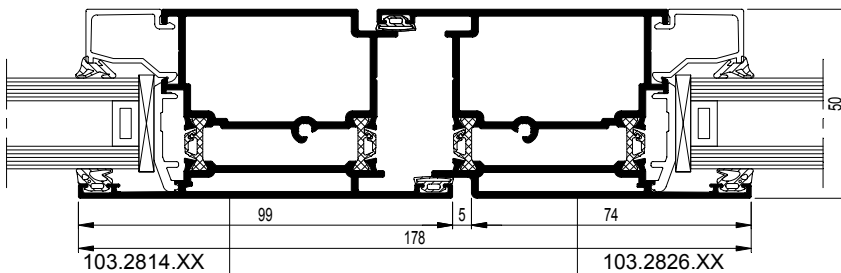




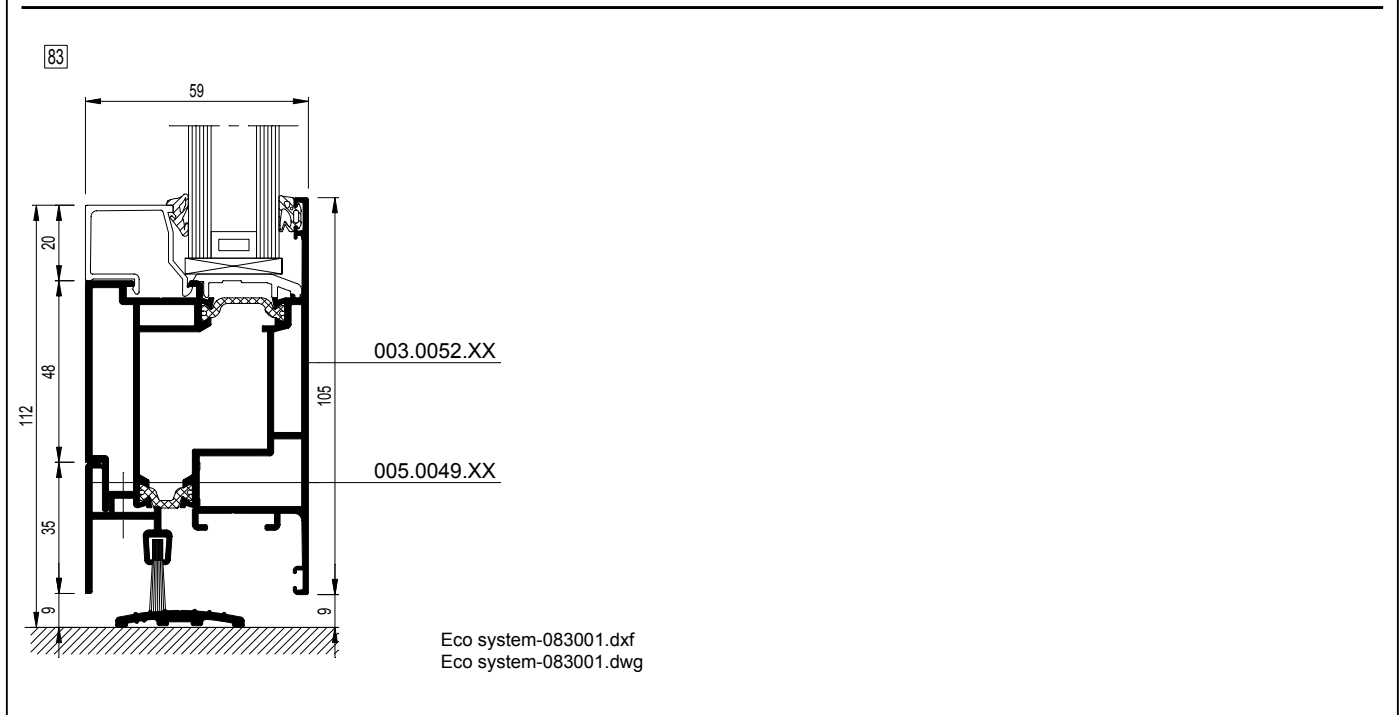
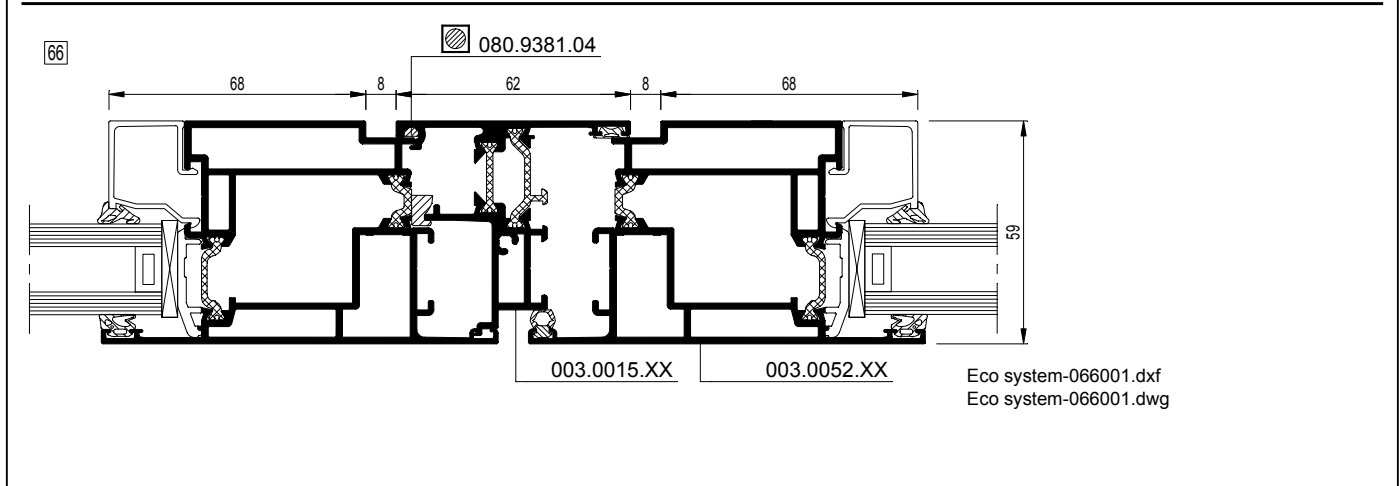
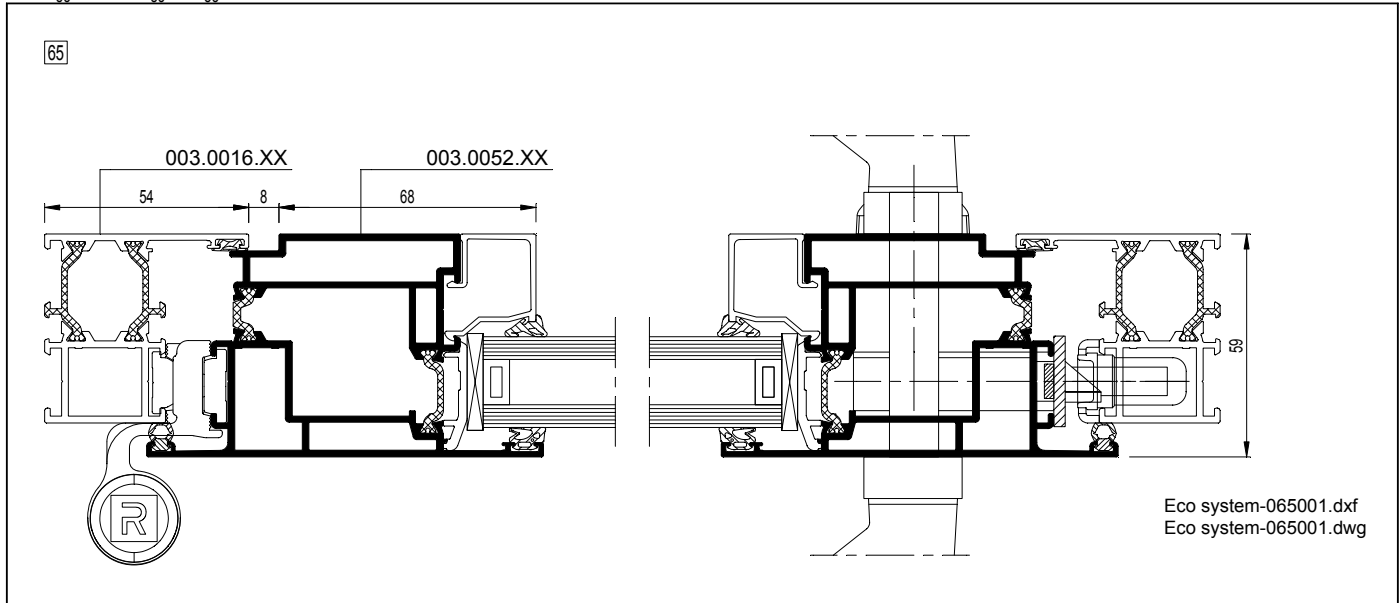
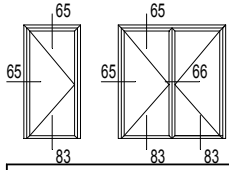


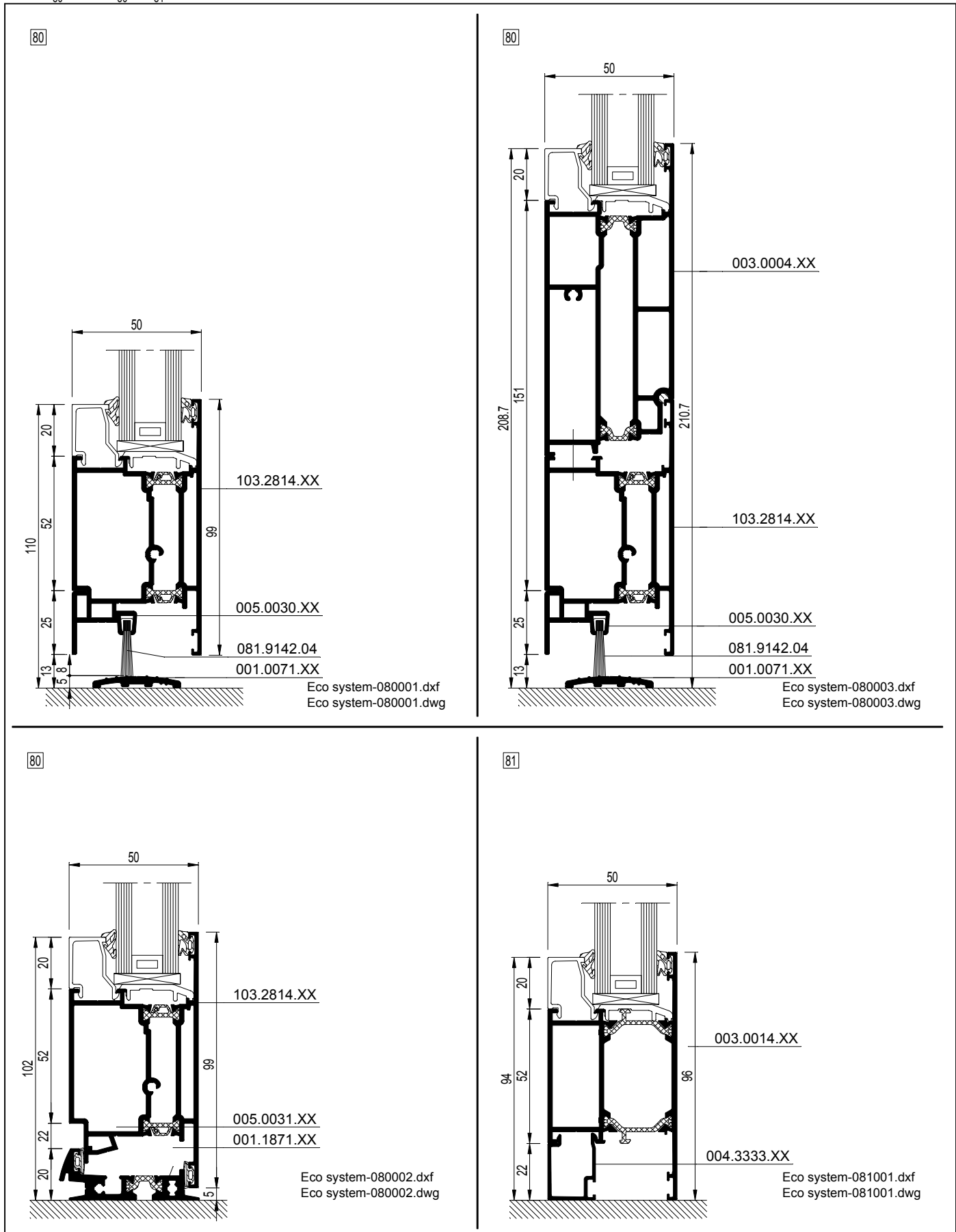
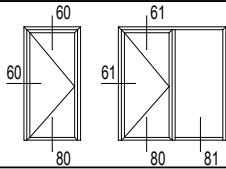
<p>001.0869.XX</p> <p>$I_x = 13.173 \text{ cm}^4$</p> <p>60 Eco system-060001.dxf Eco system-060001.dwg</p>	<p>103.0841.XX</p> <p>$I_x = 14.985 \text{ cm}^4$</p> <p>60 Eco system-060002.dxf Eco system-060002.dwg</p>	<p>003.0025.XX</p> <p>$I_x = 12.815 \text{ cm}^4$</p> <p>61 Eco system-061001.dxf Eco system-061001.dwg</p>	<p>003.0014.XX</p> <p>$I_x = 14.300 \text{ cm}^4$</p> <p>61 Eco system-061002.dxf Eco system-061002.dwg</p>
--	--	--	--

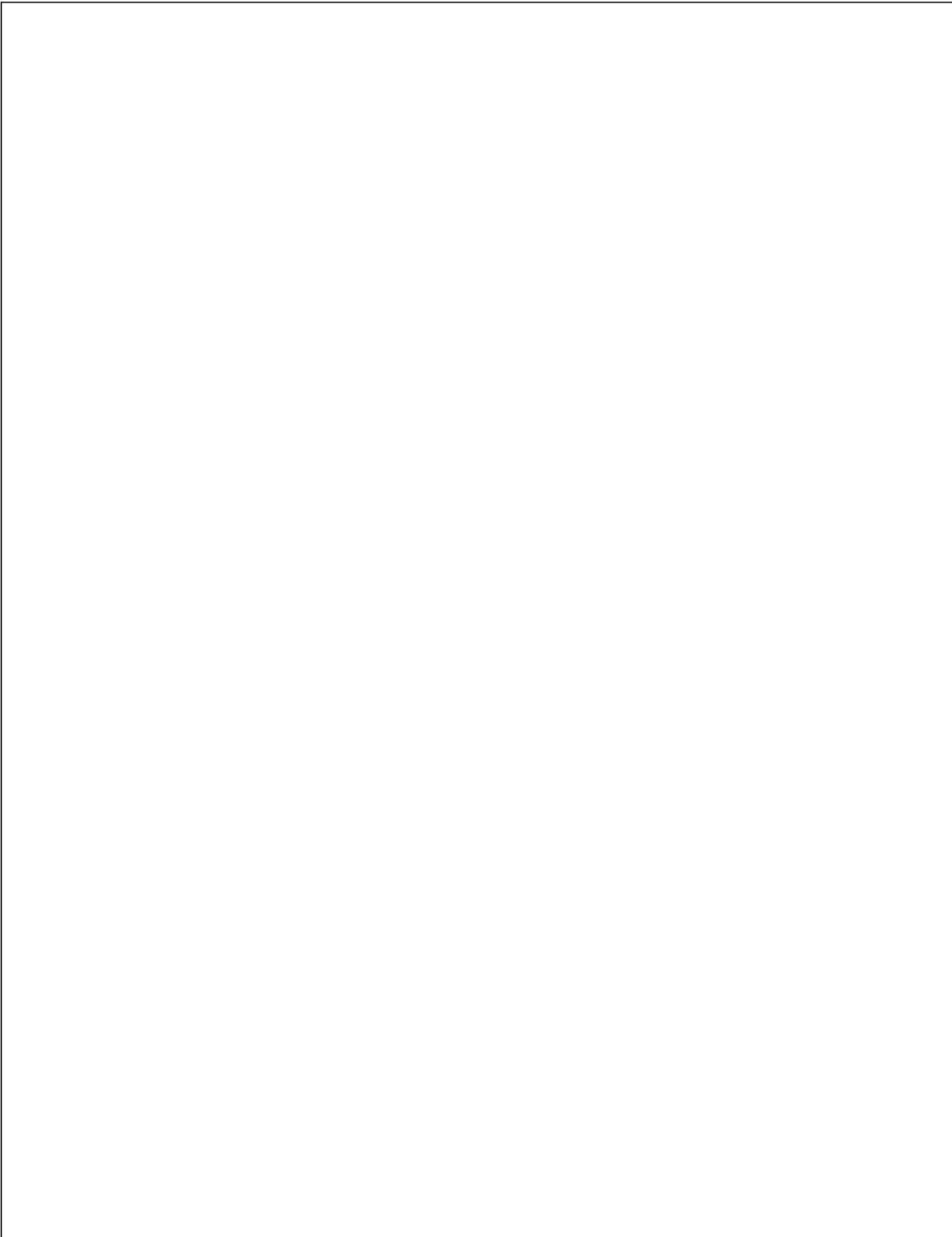
63 ZT



Eco system-053001.dxf
Eco system-053001.dwg



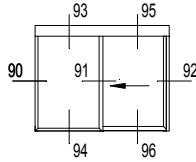




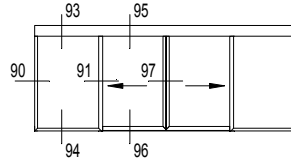


Eco system Automatic Sliding Door

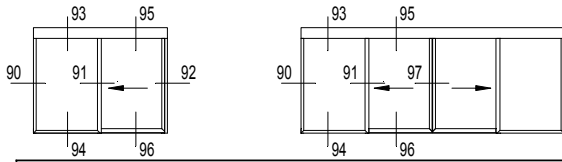
Porte coulissante automatique



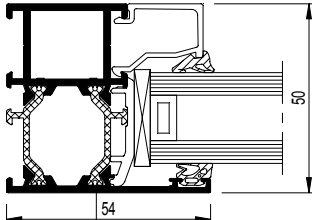
Eco system - 070



Eco system - 070



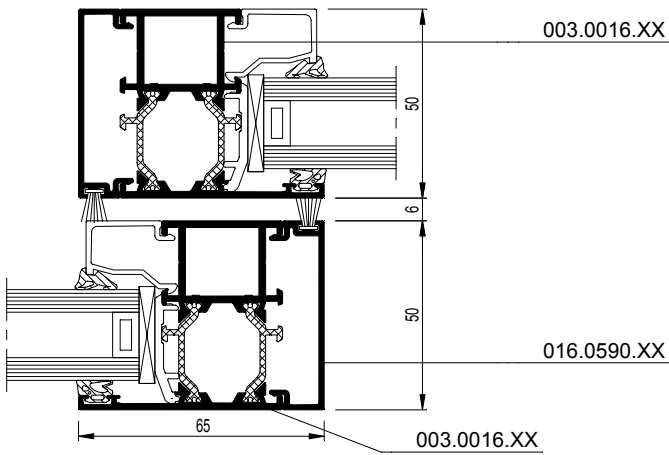
90



003.0016.XX

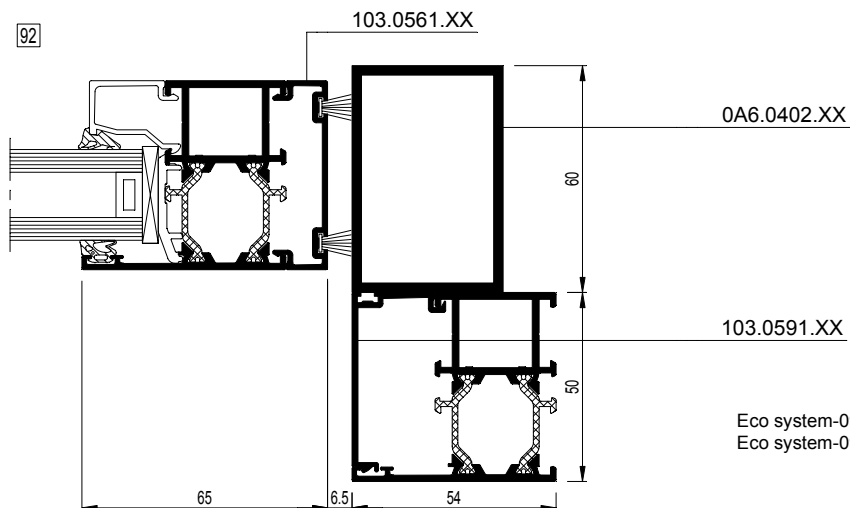
Eco system-090001.dxf
Eco system-090001.dwg

91

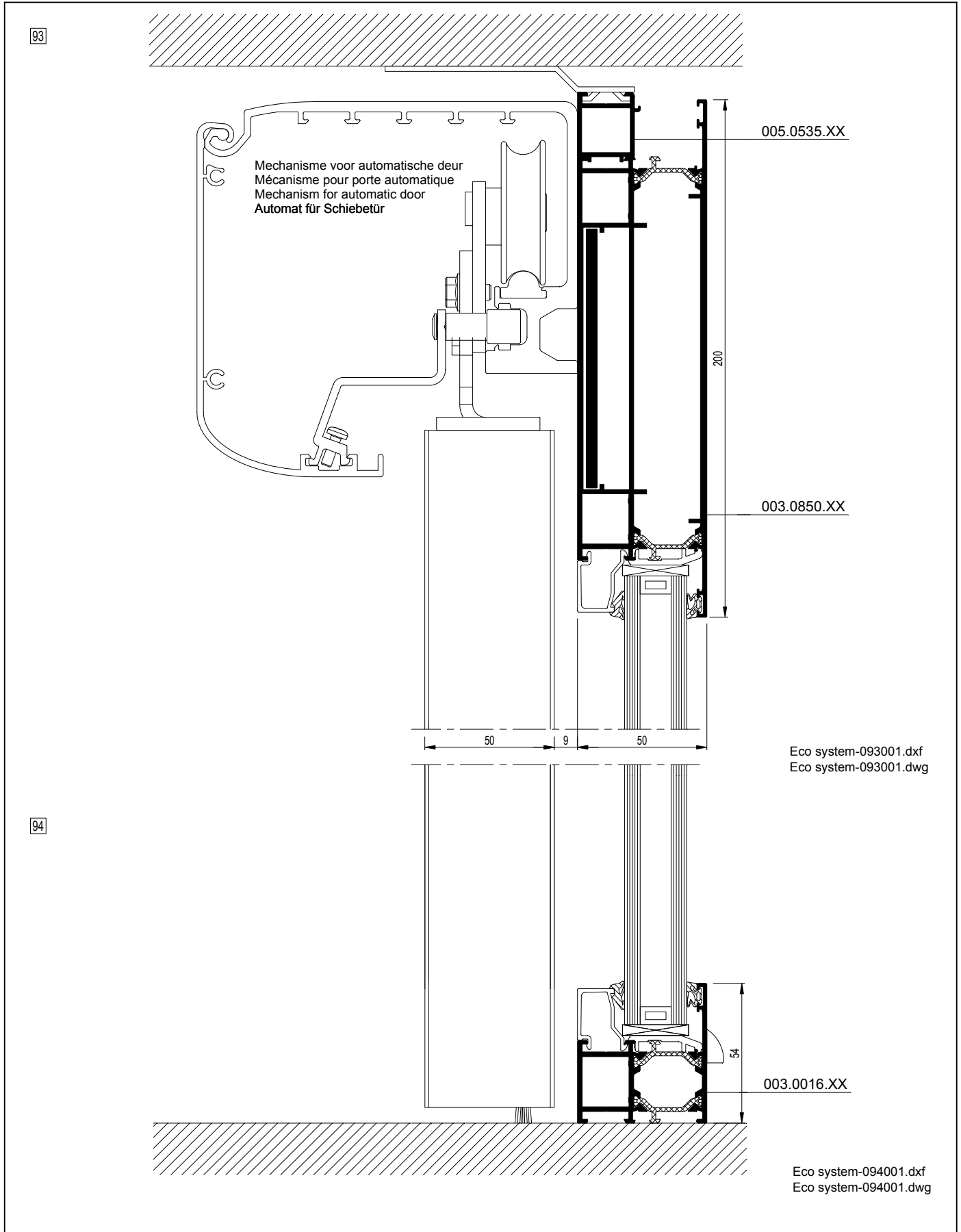
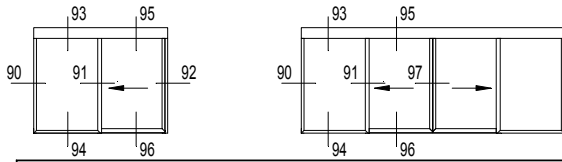


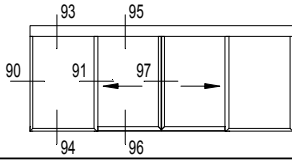
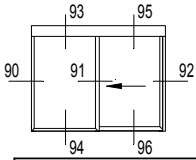
Eco system-091001.dxf
Eco system-091001.dwg

92

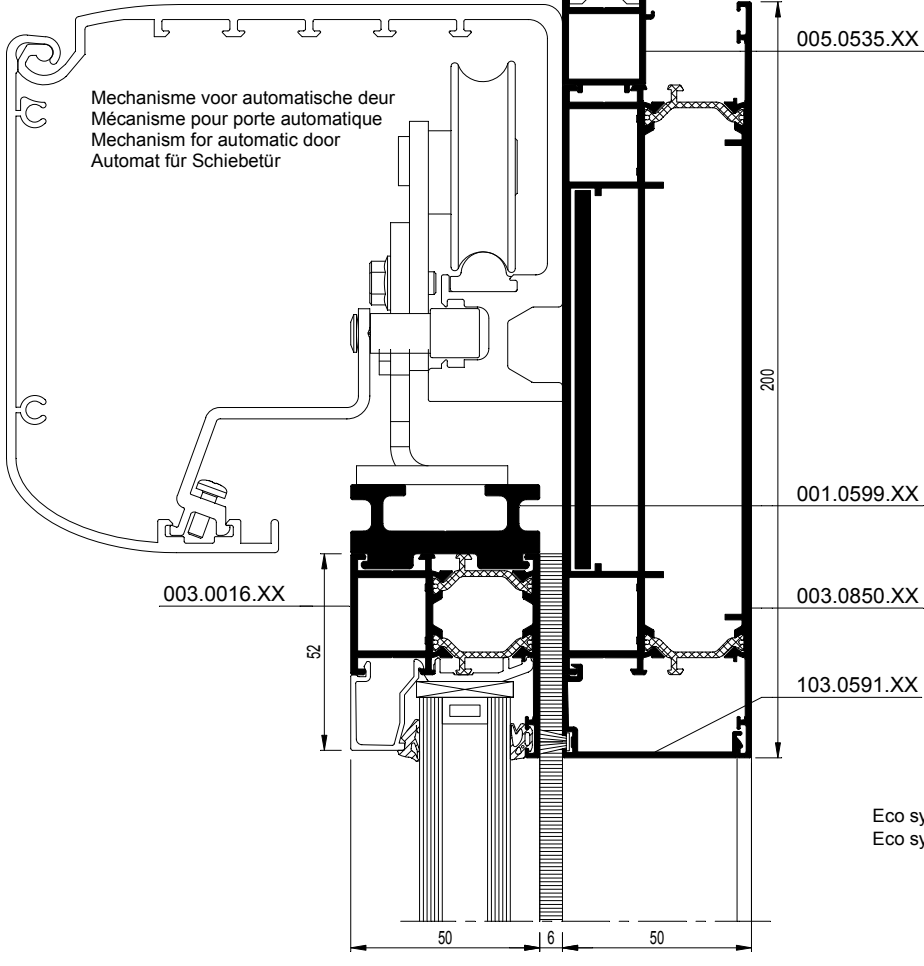


Eco system-092001.dxf
Eco system-092001.dwg



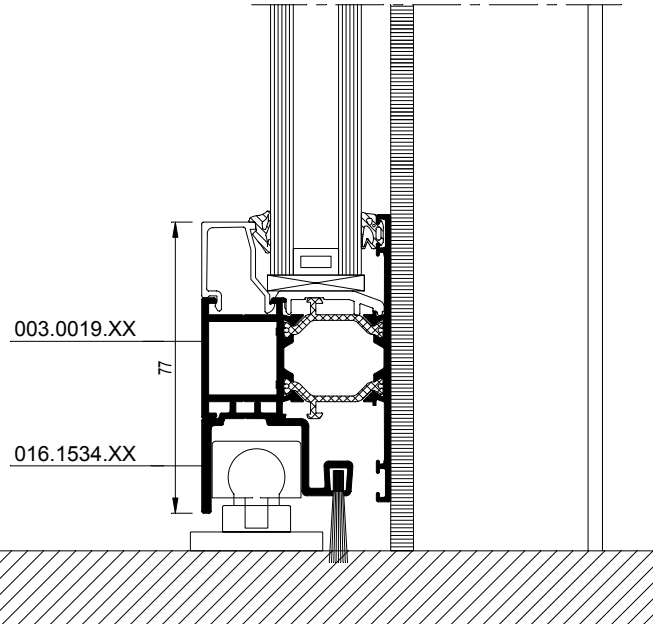


95

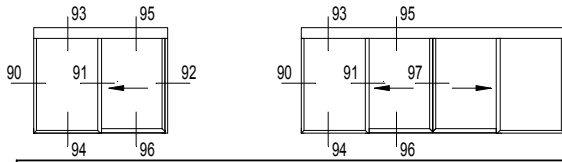


Eco system-095001.dxf
Eco system-095001.dwg

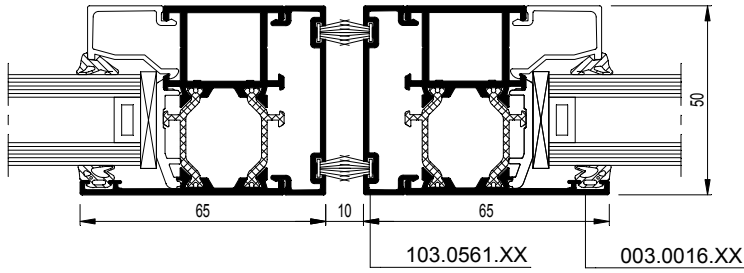
96



Eco system-096001.dxf
Eco system-096001.dwg

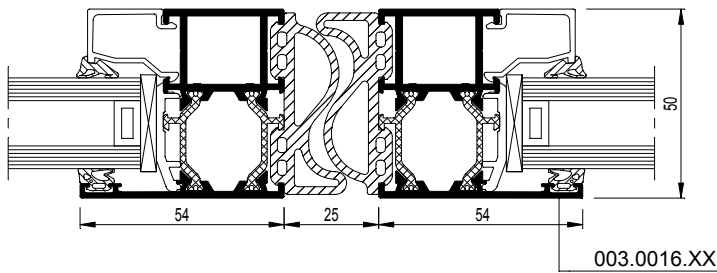


97



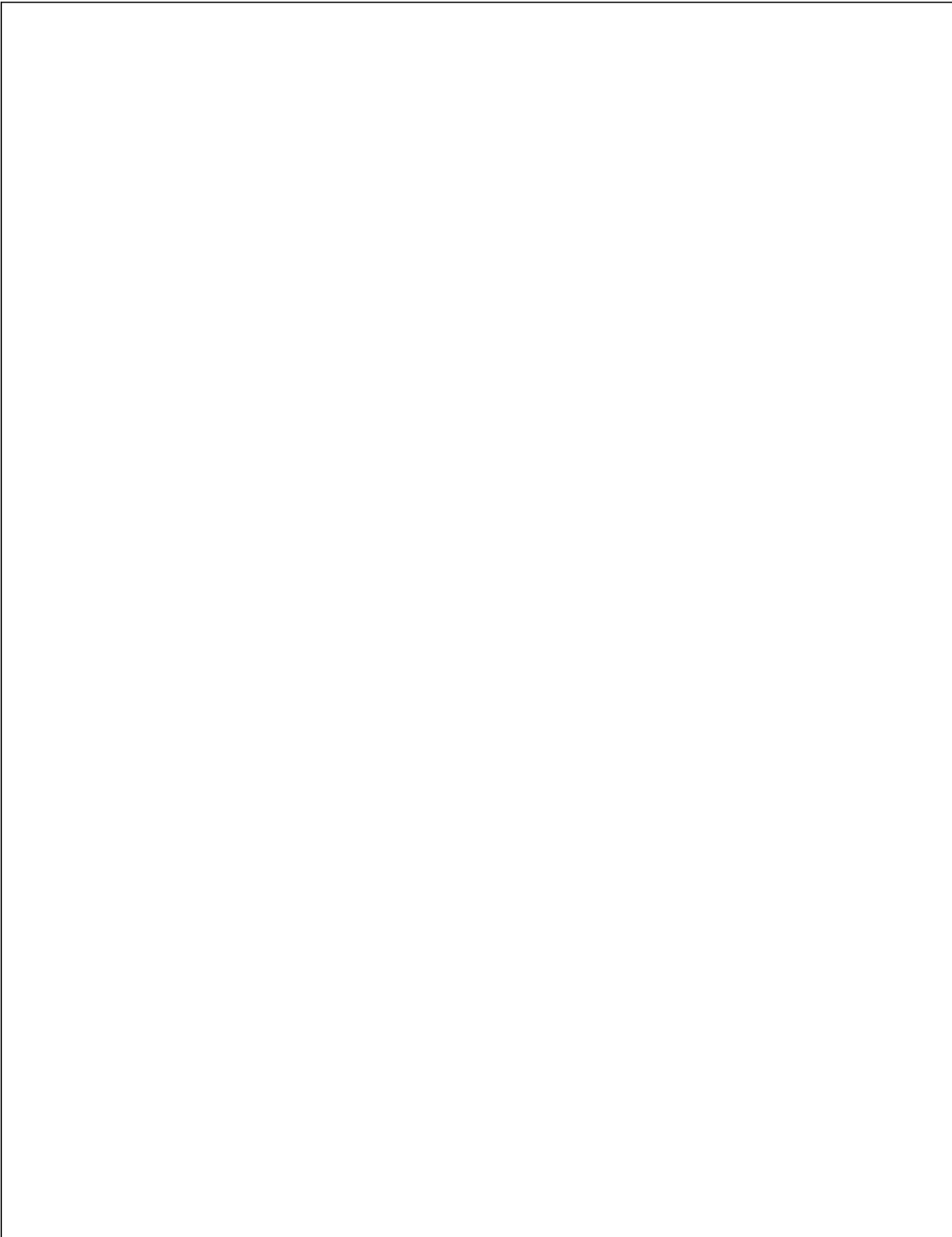
Eco system-097001.dxf
Eco system-097001.dwg

97



VARIANT met vingerbeveiliging
VARIANTE avec anti-pince-doigts
VARIANT with finger protection
VARIANTE mit Fingerschutz

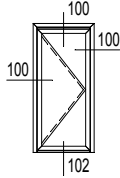
Eco system-097002.dxf
Eco system-097002.dwg



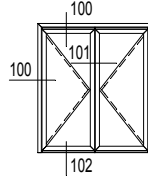


Eco system Swing Door

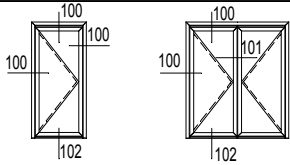
Porte va-et-vient avec joint-brosse



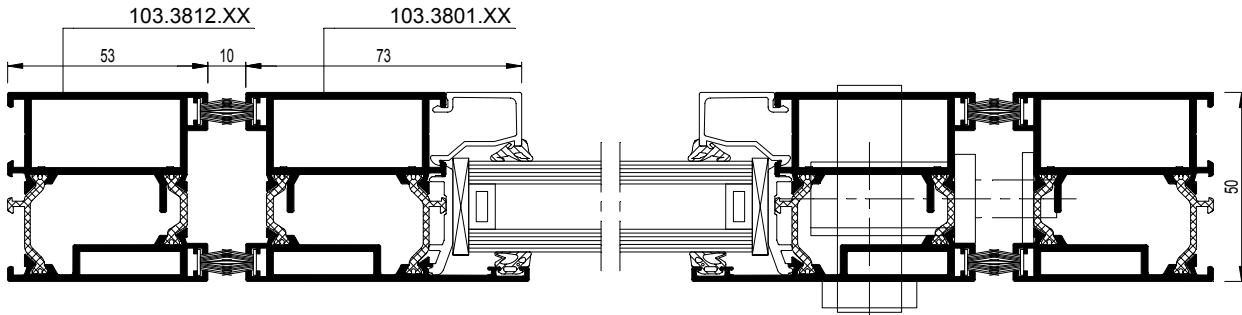
Eco system - 080



Eco system - 080



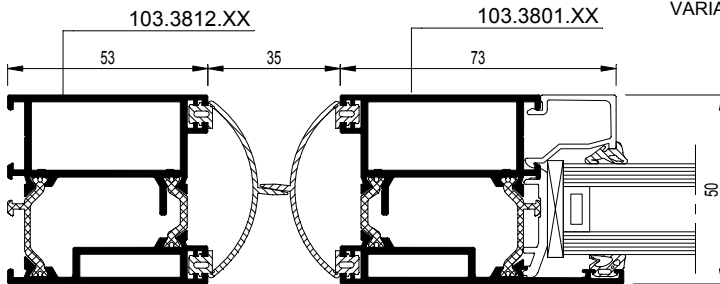
100



Eco system-100001.dxf
 Eco system-100001.dwg

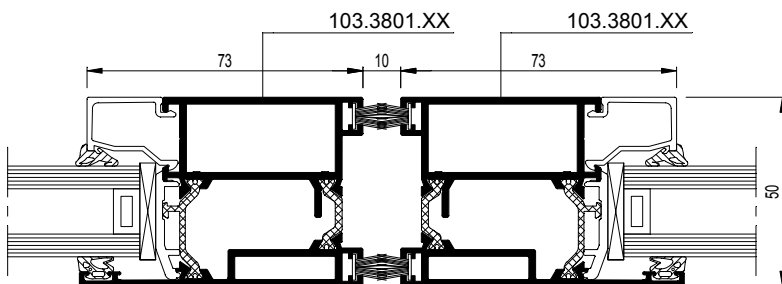
100

VARIANT met vingerbeveiliging
 VARIANTE avec anti-pince-doigts
 VARIANT with finger protection
 VARIANTE mit Fingerschutz

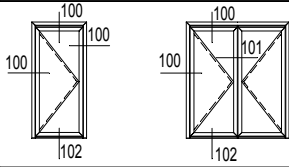


Eco system-100002.dxf
 Eco system-100002.dwg

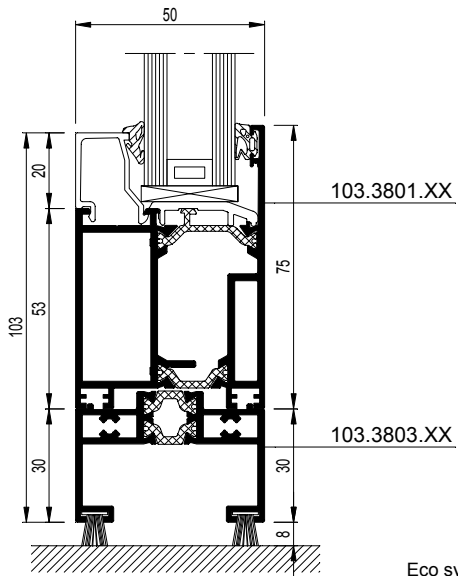
101



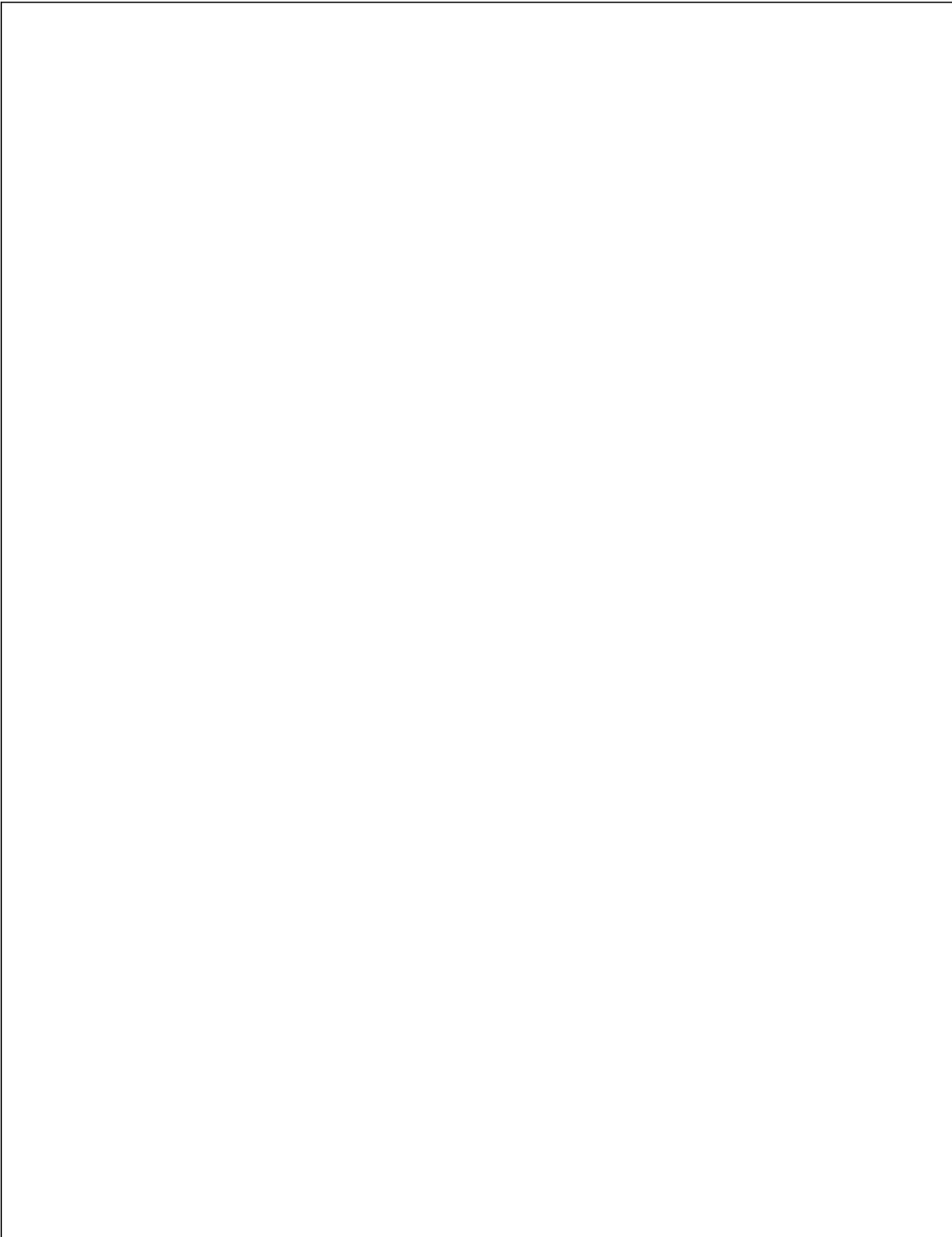
Eco system-101001.dxf
 Eco system-101001.dwg



102



Eco system-102001.dxf
Eco system-102001.dwg





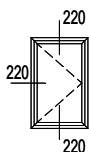
Eco system Anti-burglary Proof

Aperçu rapports d'essai

Eco system - 100

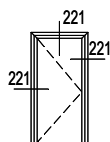
Éléments ouvrants

Fenêtres



Eco system - 103

Portes



Eco system - 103

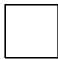
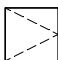
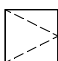
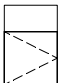


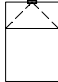



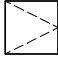
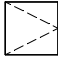

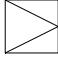
(*) Min/max afmetingen geldig voor beslag inbouw,
Min/max afmetingen in functie van het systeem

 systeem catalogo

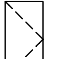
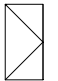
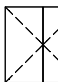

(*) Dimensions min./max. variables pour l'encastrement d'accessoires,
Dimensions min./max. en fonction du système

 catalogue système

WK II RAMEN / FENETRES / WINDOWS / FENSTER

TYPE OF ELEMENT	SYSTEM	STANDARD	REPORT NUMBER
	Eco system	ENV 1627 NEN 5096	KOMO Certificate 10.11.104.14 Conformity SKG SKG / JDI / (jme / 1.0672) Du
  	Eco system	ENV 1627 NEN 5096	KOMO Certificate 10.11.104.14 Conformity SKG SKG / JDI / (jme / 1.0672) Du
  	Eco system	ENV 1627 NEN 5096	KOMO Certificate 10.11.104.14 Conformity SKG SKG / JDI / (jme / 1.0672) Du
  	Eco system	ENV 1627 NEN 5096	KOMO Certificate 10.11.104.14 Conformity SKG SKG / JDI / (jme / 1.0672) Du
  	Eco system	ENV 1627 NEN 5096	KOMO Certificate 10.11.104.14 Conformity SKG SKG / JDI / (jme / 1.0672) Du
	Eco system	ENV 1627 NEN 5096	KOMO Certificate 10.11.104.14 - SKG / 06.167 Du

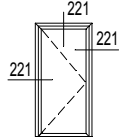
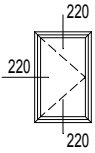
WK II RAAMDEUREN / PORTE-FENETRES / WINDOWS-DOORS / FENSTERTUEREN

TYPE OF ELEMENT	SYSTEM	STANDARD	REPORT NUMBER
	Eco system	ENV 1627 NEN 5096	KOMO Certificate 10.11.104.14 Conformity SKG SKG / JDI / (jme / 1.0672) Du
	Eco system	ENV 1627 NEN 5096	KOMO Certificate 10.11.104.14 Conformity SKG SKG / JDI / (jme / 1.0672) Du
	Eco system	ENV 1627 NEN 5096	KOMO Certificate 10.11.104.14 Conformity SKG SKG / JDI / (jme / 1.0672) Du
	Eco system	ENV 1627 NEN 5096	KOMO Certificate 10.11.104.14 Conformity SKG SKG / JDI / (jme / 1.0672) Du

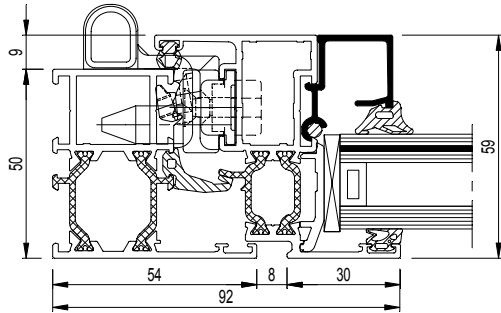
(*) Min- and max. sizes valid for building in of accessories,
Min- and max. sizes in function of the system system catalogue

(*) Minimal- und maximalabmessungen für Einbau von Zubehör,
Minimal- und Maximalabmessungen in funktion von System system katalog

ANTI-BURGLAR PROF.	ANTI-BURGLAR ACC.	SUPPLIER	MIN/MAX CERT. DIMENSION (*)	
			FBmin: 250MM FHmin: 150MM	FBmax: --- FHmax: ---
		Sobinco	FBmin: 450MM FHmin: 700MM	FBmax: 1600MM FHmax: 2200MM
		Siegenia	FBmin: 1200MM FHmin: 1280MM	FBmax: 1440MM FHmax: 1536MM
		Sobinco	FBmin: 700MM FHmin: 450MM	FBmax: 1800MM FHmax: 1200MM
		Sobinco	FBmin: 500MM FHmin: 700MM	FBmax: 1600MM FHmax: 2200MM
		Sobinco	FBmin: 500MM FHmin: 700MM	FBmax: 1600MM FHmax: 2200MM
		Siegenia	FBmin: 1200MM FHmin: 1280MM	FBmax: 1440MM FHmax: 1536MM
		Sobinco	FBmin: 450MM FHmin: 700MM	FBmax: 1600MM FHmax: 2200MM
		Sobinco	FBmin: 450MM FHmin: 700MM	FBmax: 1225MM FHmax: 1500MM
		Sobinco Sobinco	FBmin: ---MM FHmin: ---MM	FBmax: 1030MM FHmax: 2600MM
		Fapim Sobinco		
		Sobinco Sobinco	FBmin: ---MM FHmin: ---MM	FBmax: 1030MM FHmax: 2600MM
		Fapim Sobinco		
		Sobinco Sobinco	FBmin: ---MM FHmin: ---MM	FBmax: 1030MM FHmax: 2600MM
		Fapim Sobinco		
		Sobinco Sobinco	FBmin: ---MM FHmin: ---MM	FBmax: 1030MM FHmax: 2600MM
		Fapim Sobinco		

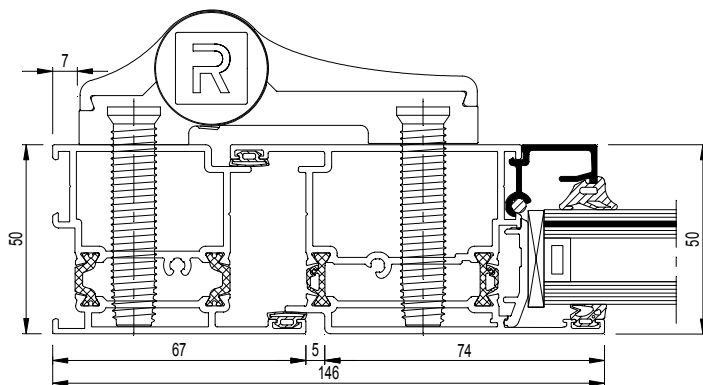


220



Eco system-220001.dxf
Eco system-220001.dwg

221



Eco system-221001.dxf
Eco system-221001.dwg

Eco system



Combinaisons avec d'autres systèmes

CW 50 - Eco system

Eco system - CN002

CP 130

Eco system - CN003

CP 130-LS

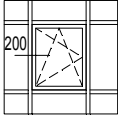
Eco system - CN003

CP 155

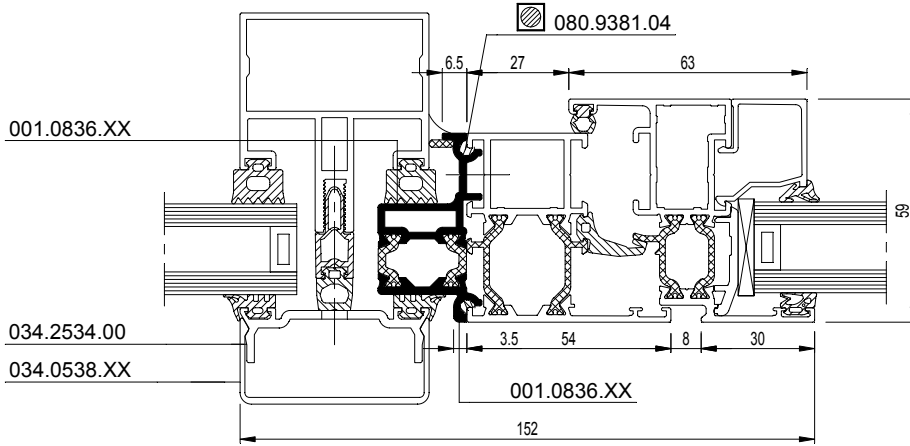
Eco system - CN004

CR 120

Eco system - CN005

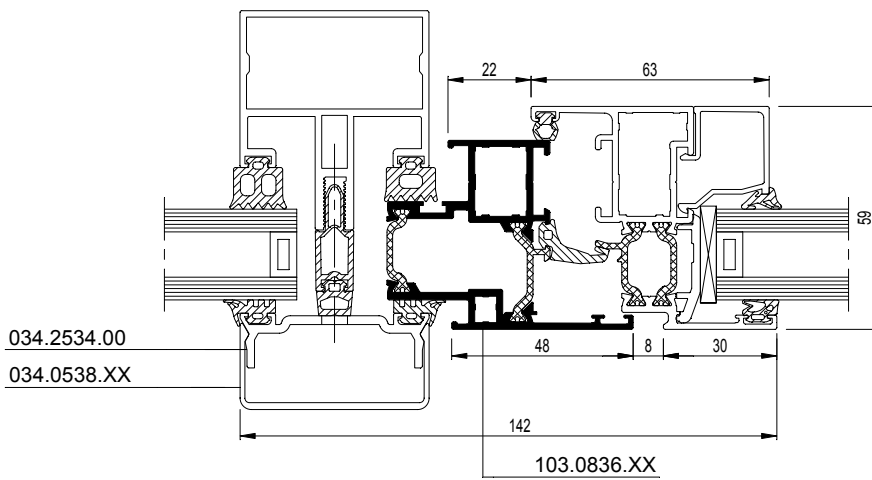


200

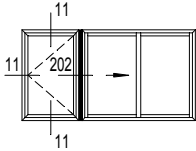


Eco system-200001.dxf
 Eco system-200001.dwg

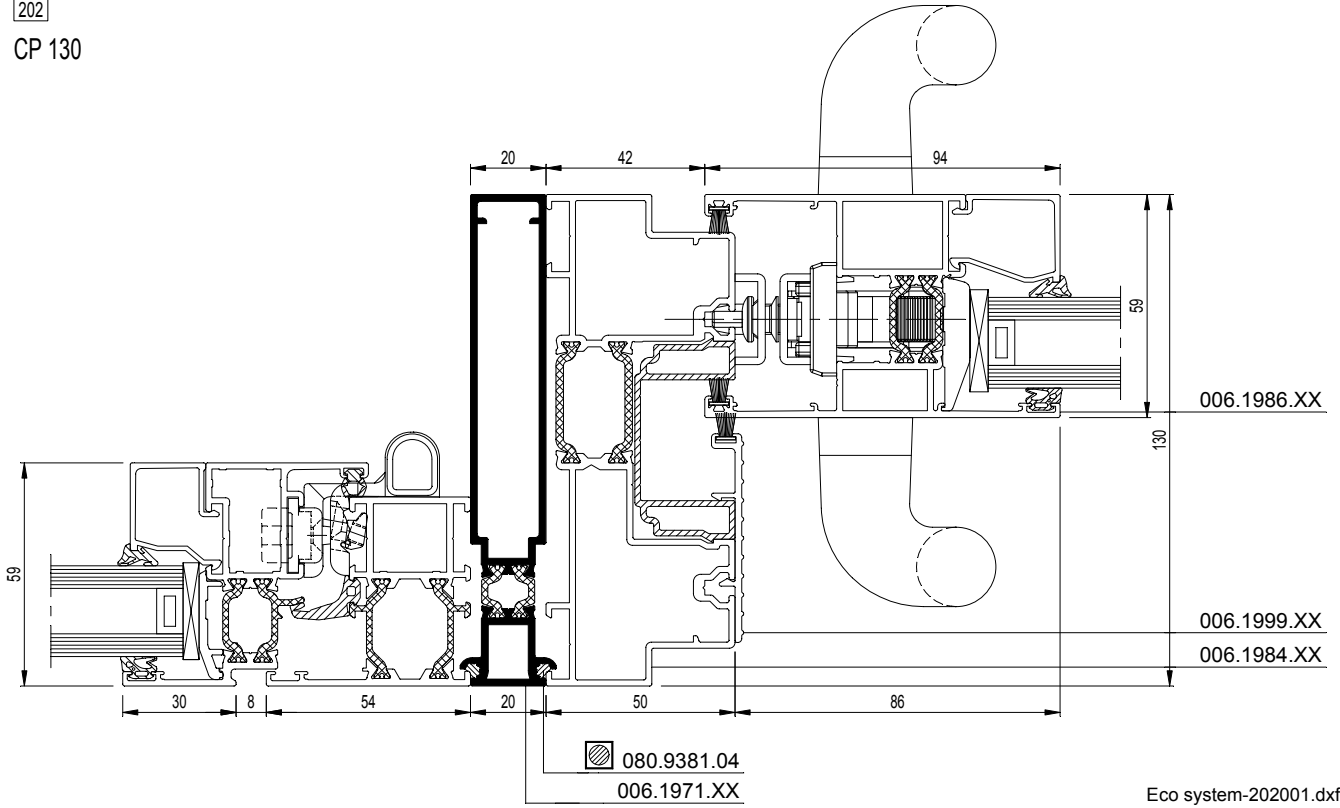
200



Eco system-200002.dxf
 Eco system-200002.dwg

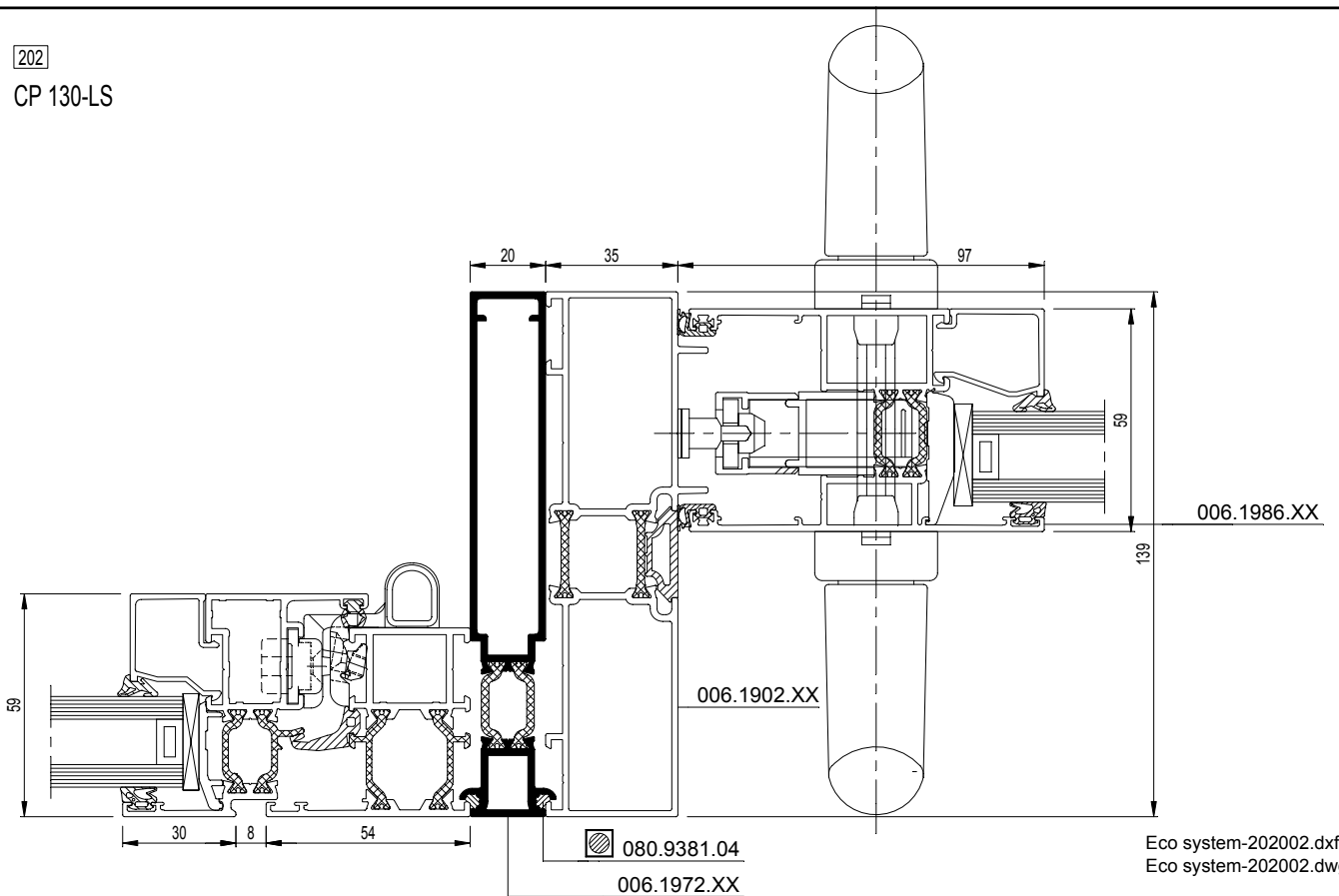


202
 CP 130

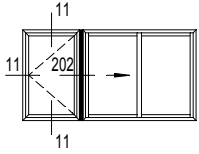


Eco system-202001.dxf
 Eco system-202001.dwg

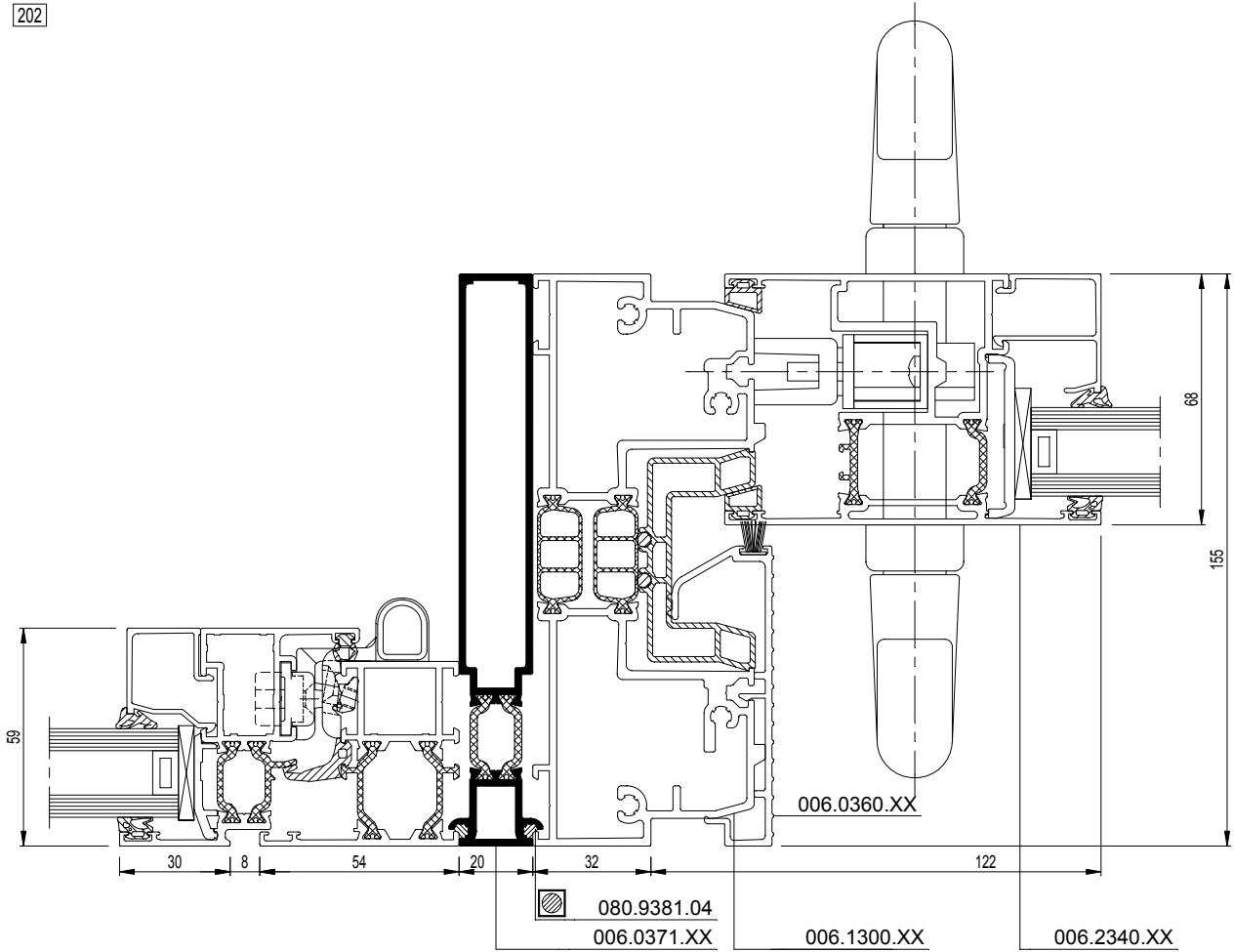
202
 CP 130-LS



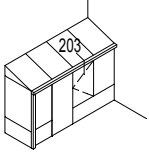
Eco system-202002.dxf
 Eco system-202002.dwg



202



Eco system-202004.dxf
 Eco system-202004.dwg



203

